

Model: NJ207ECP

Basic size of
mm

d:	35
D:	72
B:	17

The basic rated load is
kN

trends C:	56
static state Co:	48
Fatigue load limit Pu:	6.1

Rated rotation speed is
r/min

Refer to the speed:	11000
limit speed:	12000
Specification standard holder:	0.33

model

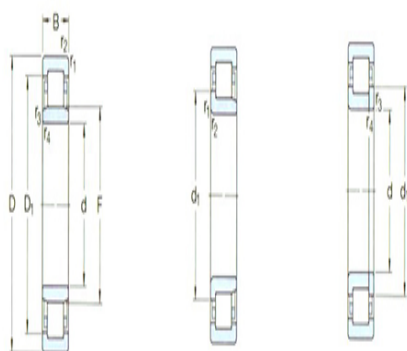
Standard holder:	*NJ207ECP
Other holder 1):	J,M,ML

Dimensions are
mm

d:	35
d ₁ ~ :	48.1
D1 ~ :	60.7
F,E:	44
r _{1,2} the min:	1.1
r _{3,4} the min:	0.6
s ¹⁾ :	1.3

Shoulder gear and chamfer size
mm

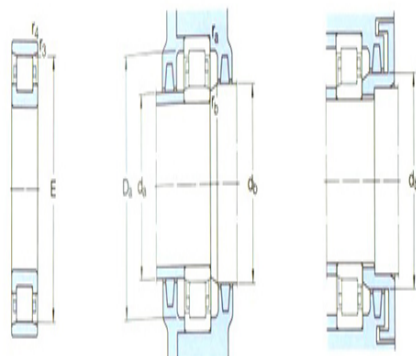
d _a the min:	42
d _a the max:	42
d _b ,D _a the min:	50
D _a the max:	65



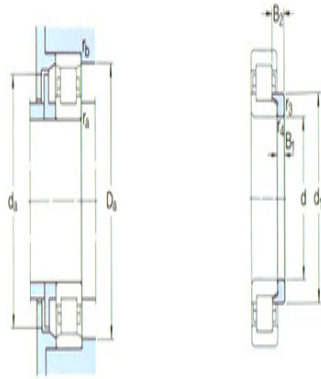
NU

NJ

NUP



N



1/1

r_a the max:	1
r_b the max:	0.6

Calculation coefficient

kr:	0.15
-----	------

Corner circle

model:	HJ207EC
quality:	0.033
Size B1:	4
Size B2:	7