



Model: NUP207ECP

Basic size of
 mm

| | |
|----|----|
| d: | 35 |
| D: | 72 |
| B: | 17 |

The basic rated load is
 kN

| | |
|------------------------|-----|
| trends C: | 56 |
| static state Co: | 48 |
| Fatigue load limit Pu: | 6.1 |

Rated rotation speed is
 r/min

| | |
|--------------------------------|-------|
| Refer to the speed: | 11000 |
| limit speed: | 12000 |
| Specification standard holder: | 0.31 |

model

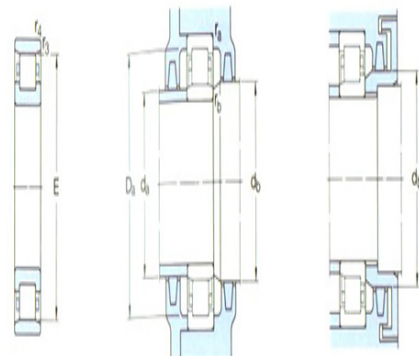
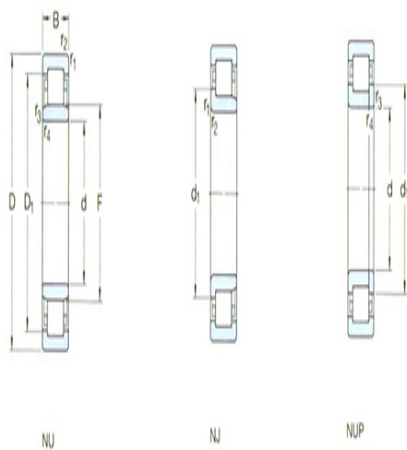
| | |
|------------------|------------|
| Standard holder: | *NUP207ECP |
| Other holder 1): | J,M,ML |

Dimensions are
 mm

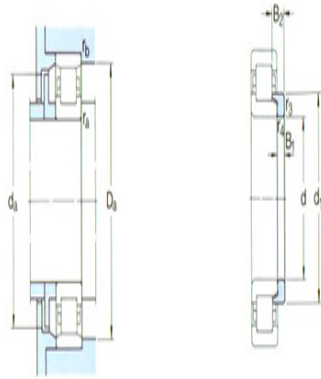
| | |
|---------------------------|------|
| d: | 35 |
| d ₁ ~ : | 48.1 |
| D1 ~ : | 60.7 |
| F,E: | 44 |
| r _{1,2} the min: | 1.1 |
| r _{3,4} the min: | 0.6 |
| s ¹⁾ : | - |

Shoulder gear and chamfer size
 mm

| | |
|---|----|
| d _a the min: | 42 |
| d _a the max: | - |
| d _b ,D _a the min: | 50 |
| D _a the max: | 65 |



N



1/1

r_a the max: 1

r_b the max: 0.6

Calculation coefficient

kr: 0.15

Corner circle

model: -

quality: -

Size B1: -

Size B2: -