



## Model: NUP2207ECP

Basic size of  
mm

|    |    |
|----|----|
| d: | 35 |
| D: | 72 |
| B: | 23 |

The basic rated load is  
kN

|                        |      |
|------------------------|------|
| trends C:              | 69.5 |
| static state Co:       | 63   |
| Fatigue load limit Pu: | 8.15 |

Rated rotation speed is  
r/min

|                                |       |
|--------------------------------|-------|
| Refer to the speed:            | 11000 |
| limit speed:                   | 12000 |
| Specification standard holder: | 0.42  |

model

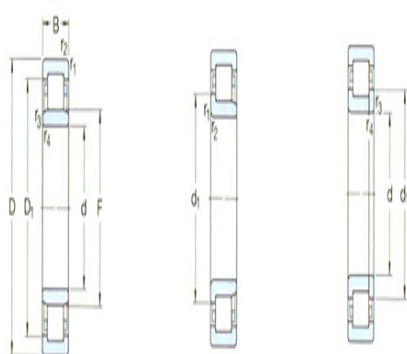
|                  |             |
|------------------|-------------|
| Standard holder: | *NUP2207ECP |
| Other holder 1): | ML          |

Dimensions are  
mm

|                           |      |
|---------------------------|------|
| d:                        | 35   |
| d <sub>1</sub> ~ :        | 48.1 |
| D1 ~ :                    | 60.7 |
| F,E:                      | 44   |
| r <sub>1,2</sub> the min: | 1.1  |
| r <sub>3,4</sub> the min: | 0.6  |
| s <sup>1)</sup> :         | -    |

Shoulder gear and chamfer size  
mm

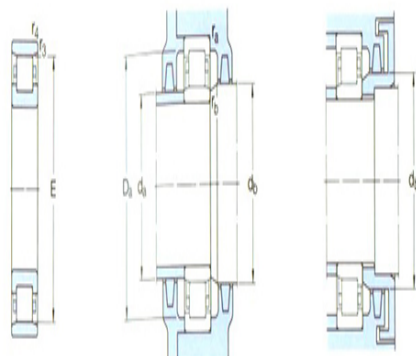
|   |    |
|---|----|
| d <sub>a</sub> the min:                 | 42 |
| d <sub>a</sub> the max:                 | -  |
| d <sub>b</sub> ,D <sub>a</sub> the min: | 48 |
| D <sub>a</sub> the max:                 | 65 |



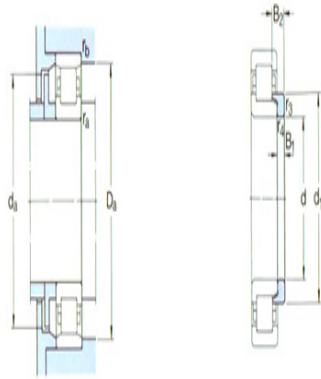
NU

N

NUP



N



1/1

$r_a$  the max: 1

$r_b$  the max: 0.6

Calculation coefficient

kr: 0.2

Corner circle

model: -

quality: -

Size B1: -

Size B2: -