



Model: NU307ECP

Basic size of
mm

d:	35
D:	80
B:	21

The basic rated load is
kN

trends C:	75
static state Co:	63
Fatigue load limit Pu:	8.15

Rated rotation speed is
r/min

Refer to the speed:	9500
limit speed:	11000
Specification standard holder:	0.54

model

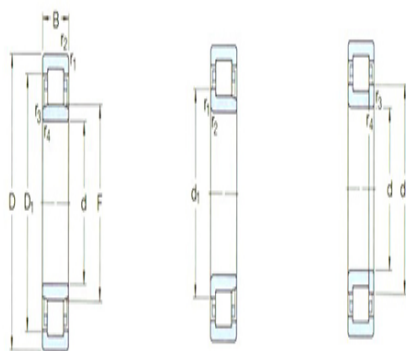
Standard holder:	*NU307ECP
Other holder 1):	J,M,ML

Dimensions are
mm

d:	35
d ₁ ~ :	51
D1 ~ :	66.3
F,E:	46.2
r _{1,2} the min:	1.5
r _{3,4} the min:	1.1
s ¹⁾ :	1.2

Shoulder gear and chamfer size
mm

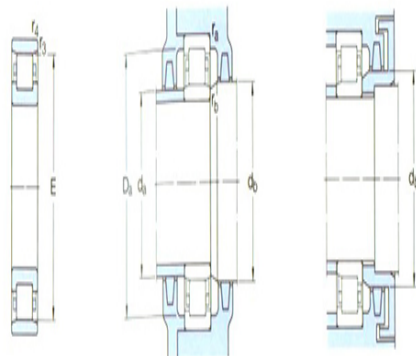
d _a the min:	42
d _a the max:	44
d _b ,D _a the min:	48
D _a the max:	71



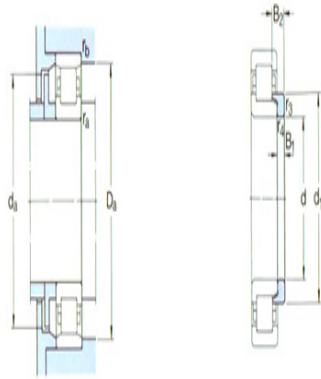
NU

NU

NUP



N



1/1

r_a the max:	1.5
r_b the max:	1

Calculation coefficient

kr:	0.15
-----	------

Corner circle

model:	HJ307EC
quality:	0.058
Size B1:	6
Size B2:	9.5