



Model: NJ2307ECP

Basic size of
 mm

| | |
|----|----|
| d: | 35 |
| D: | 80 |
| B: | 31 |

The basic rated load is
 kN

| | |
|------------------------|------|
| trends C: | 106 |
| static state Co: | 98 |
| Fatigue load limit Pu: | 12.7 |

Rated rotation speed is
 r/min

| | |
|--------------------------------|-------|
| Refer to the speed: | 9500 |
| limit speed: | 11000 |
| Specification standard holder: | 0.73 |

model

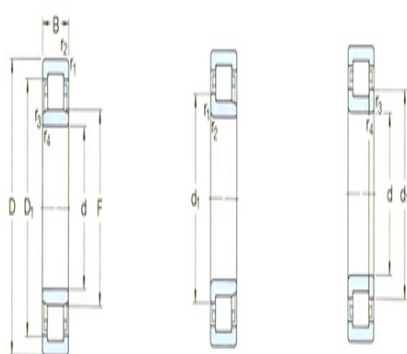
| | |
|------------------|------------|
| Standard holder: | *NJ2307ECP |
| Other holder 1): | - |

Dimensions are
 mm

| | |
|---------------------------|------|
| d: | 35 |
| d ₁ ~ : | 51 |
| D1 ~ : | 66.3 |
| F,E: | 46.2 |
| r _{1,2} the min: | 1.5 |
| r _{3,4} the min: | 1.1 |
| s ¹⁾ : | 2.7 |

Shoulder gear and chamfer size
 mm

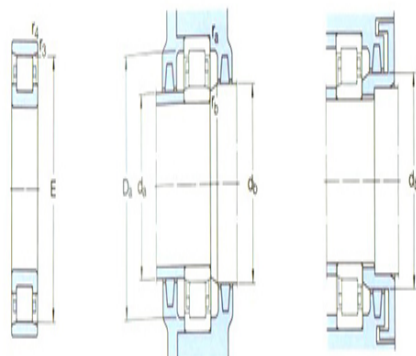
| | |
|---|----|
| d _a the min: | 44 |
| d _a the max: | 44 |
| d _b ,D _a the min: | 53 |
| D _a the max: | 71 |



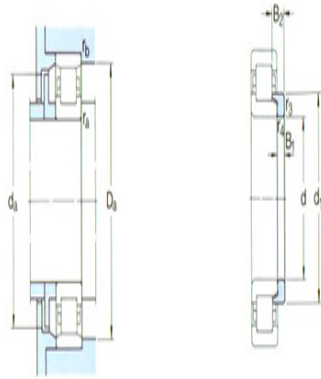
NU

N

NUP



N



1/1

| | |
|----------------|-----|
| r_a the max: | 1.5 |
| r_b the max: | 1 |

Calculation coefficient

| | |
|-----|------|
| kr: | 0.25 |
|-----|------|

Corner circle

| | |
|----------|---|
| model: | - |
| quality: | - |
| Size B1: | - |
| Size B2: | - |