



## Model: NUP208ECP

Basic size of  
mm

d:	40
D:	80
B:	18

The basic rated load is  
kN

trends C:	62
static state Co:	53
Fatigue load limit Pu:	6.7

Rated rotation speed is  
r/min

Refer to the speed:	9500
limit speed:	11000
Specification standard holder:	0.4

model

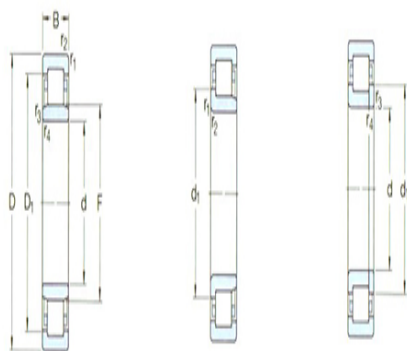
Standard holder:	*NUP208ECP
Other holder 1):	J,M,ML

Dimensions are  
mm

d:	40
d <sub>1</sub> ~ :	54
D1 ~ :	67.9
F,E:	49.5
r <sub>1,2</sub> the min:	1.1
r <sub>3,4</sub> the min:	1.1
s <sup>1)</sup> :	-

Shoulder gear and chamfer size  
mm

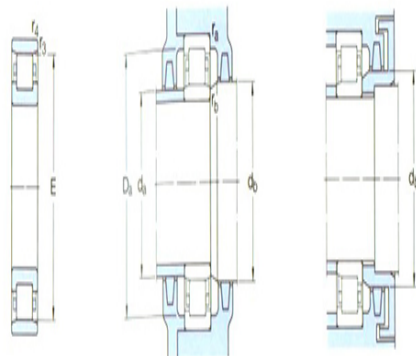
d <sub>a</sub> the min:	47
d <sub>a</sub> the max:	-
d <sub>b</sub> ,D <sub>a</sub> the min:	56
D <sub>a</sub> the max:	73



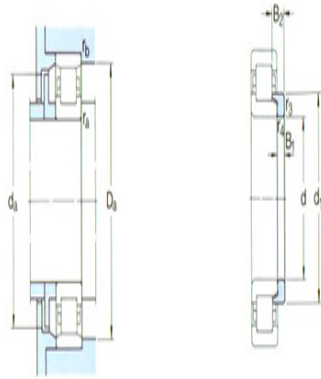
NU

NU

NUP



N



1/1

$r_a$  the max: 1

$r_b$  the max: 1

Calculation coefficient

kr: 0.15

Corner circle

model: -

quality: -

Size B1: -

Size B2: -