



## Model: NU2208ECP

Basic size of  
mm

d:	40
D:	80
B:	23

The basic rated load is  
kN

trends C:	81.5
static state Co:	75
Fatigue load limit Pu:	9.65

Rated rotation speed is  
r/min

Refer to the speed:	9500
limit speed:	11000
Specification standard holder:	0.54

model

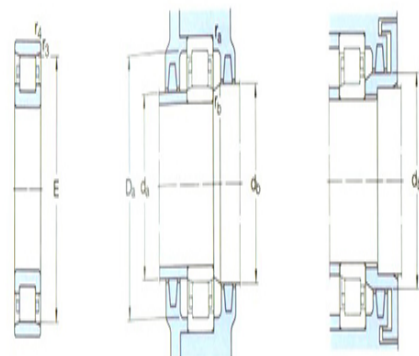
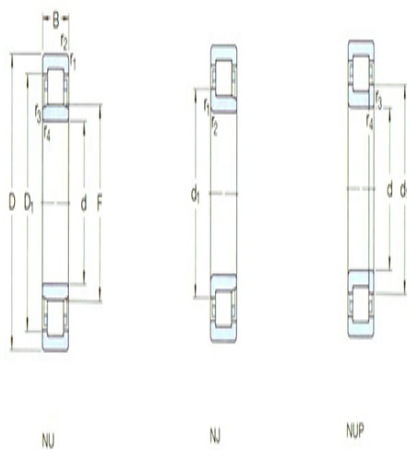
Standard holder:	*NU2208EC P
Other holder 1):	J,ML

Dimensions are  
mm

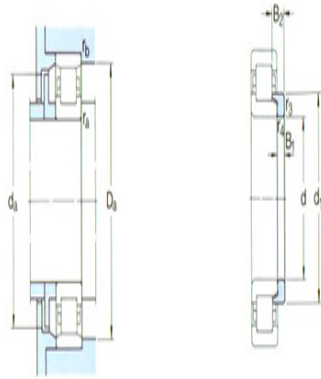
d:	40
d <sub>1</sub> ~ :	54
D1 ~ :	67.9
F,E:	49.5
r <sub>1,2</sub> the min:	1.1
r <sub>3,4</sub> the min:	1.1
s <sup>1)</sup> :	1.9

Shoulder gear and chamfer size  
mm

d <sub>a</sub> the min:	47
d <sub>a</sub> the max:	48
d <sub>b</sub> ,Da the min:	51
Da the max:	73



N



1/1

$r_a$  the max: 1

$r_b$  the max: 1

Calculation coefficient

kr: 0.2

Corner circle

model: HJ2208EC

quality: 0.048

Size B1: 5

Size B2: 9