



Model: NUP2208ECP

Basic size of
mm

d:	40
D:	80
B:	23

The basic rated load is
kN

trends C:	81.5
static state Co:	75
Fatigue load limit Pu:	9.65

Rated rotation speed is
r/min

Refer to the speed:	9500
limit speed:	11000
Specification standard holder:	0.56

model

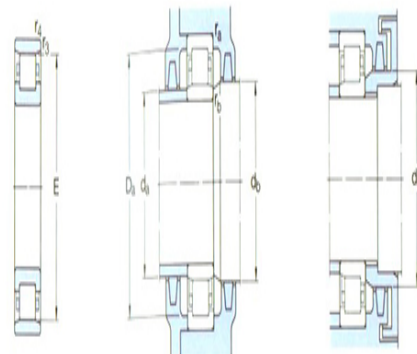
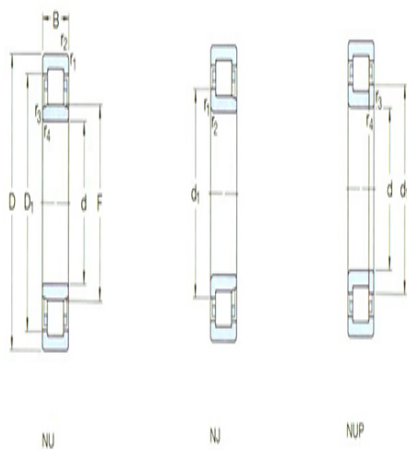
Standard holder:	*NUP2208ECP
Other holder 1):	J,ML

Dimensions are
mm

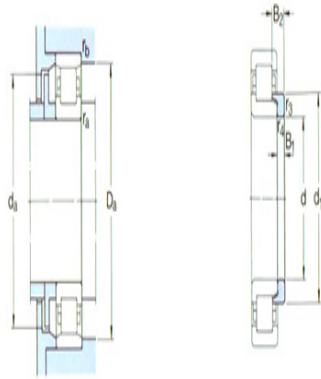
d:	40
d ₁ ~ :	54
D1 ~ :	67.9
F,E:	49.5
r _{1,2} the min:	1.1
r _{3,4} the min:	1.1
s ¹⁾ :	-

Shoulder gear and chamfer size
mm

d _a the min:	47
d _a the max:	-
d _b ,D _a the min:	56
D _a the max:	73



N



1/1

r_a the max: 1

r_b the max: 1

Calculation coefficient

kr: 0.2

Corner circle

model: -

quality: -

Size B1: -

Size B2: -