



## Model: NU308ECP

Basic size of  
 mm

d:	40
D:	90
B:	23

The basic rated load is  
 kN

trends C:	93
static state Co:	78
Fatigue load limit Pu:	10.2

Rated rotation speed is  
 r/min

Refer to the speed:	8000
limit speed:	9500
Specification standard holder:	0.73

model

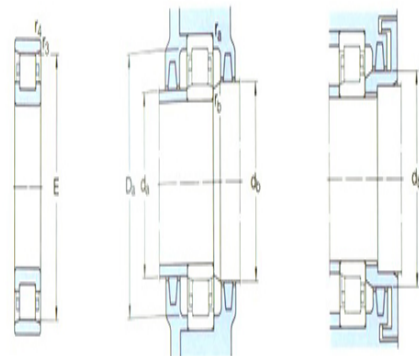
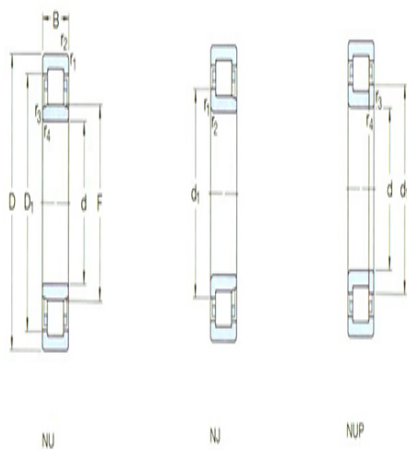
Standard holder:	*NU308EC P
Other holder 1):	J,M,ML

Dimensions are  
 mm

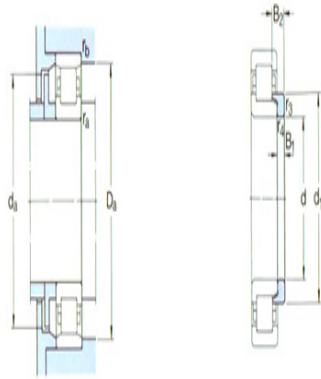
d:	40
$d_1 \sim$ :	57.5
$D_1 \sim$ :	75.6
F,E:	52
$r_{1,2}$ the min:	1.5
$r_{3,4}$ the min:	1.5
$s^1$ ):	1.4

Shoulder gear and chamfer size  
 mm

$d_a$ the min:	49
$d_a$ the max:	50
$d_b, D_a$ the min:	54
$D_a$ the max:	81



N



1/1

$r_a$ the max:	1.5
$r_b$ the max:	1.5

Calculation coefficient

kr:	0.15
-----	------

Corner circle

model:	HJ308EC
quality:	0.084
Size B1:	7
Size B2:	11