



Model: N308ECP

Basic size of
mm

d:	40
D:	90
B:	23

The basic rated load is
kN

trends C:	93
static state Co:	78
Fatigue load limit Pu:	10.2

Rated rotation speed is
r/min

Refer to the speed:	8000
limit speed:	9500
Specification standard holder:	0.64

model

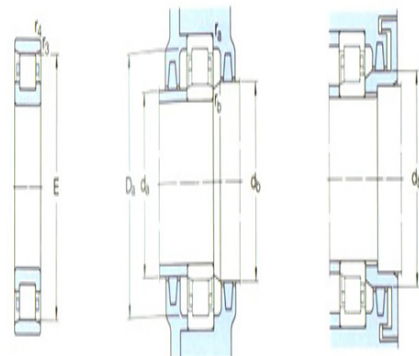
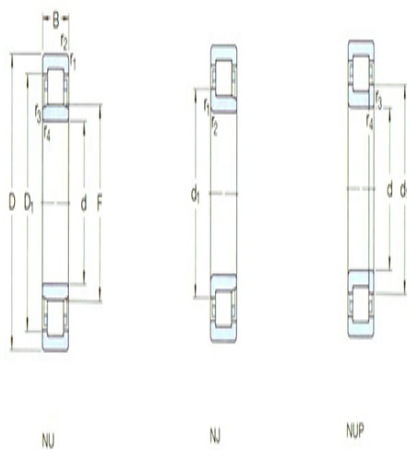
Standard holder:	*N308EC P
Other holder 1):	-

Dimensions are
mm

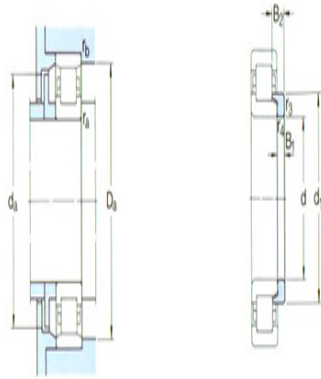
d:	40
d ₁ ~ :	57.5
D1 ~ :	-
F,E:	80
r _{1,2} the min:	1.5
r _{3,4} the min:	1.5
s ¹⁾ :	1.4

Shoulder gear and chamfer size
mm

d _a the min:	49
d _a the max:	78
d _b ,D _a the min:	82
D _a the max:	81



N



1/1

r_a the max: 1.5

r_b the max: 1.5

Calculation coefficient

kr: 0.15

Corner circle

model: -

quality: -

Size B1: -

Size B2: -