

Model: NJ2210ECP

Basic size of
mm

| | |
|----|----|
| d: | 50 |
| D: | 90 |
| B: | 23 |

The basic rated load is
kN

| | |
|------------------------|------|
| trends C: | 90 |
| static state Co: | 88 |
| Fatigue load limit Pu: | 11.4 |

Rated rotation speed is
r/min

| | |
|--------------------------------|------|
| Refer to the speed: | 8500 |
| limit speed: | 9000 |
| Specification standard holder: | 0.59 |

model

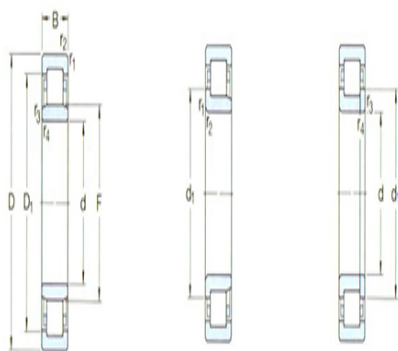
| | |
|------------------|------------|
| Standard holder: | *NJ2210ECP |
| Other holder 1): | J,M,ML |

Dimensions are
mm

| | |
|---------------------------|------|
| d: | 50 |
| d ₁ ~ : | 64 |
| D1 ~ : | 78 |
| F,E: | 59.5 |
| r _{1,2} the min: | 1.1 |
| r _{3,4} the min: | 1.1 |
| s ¹⁾ : | 1.5 |

Shoulder gear and chamfer size
mm

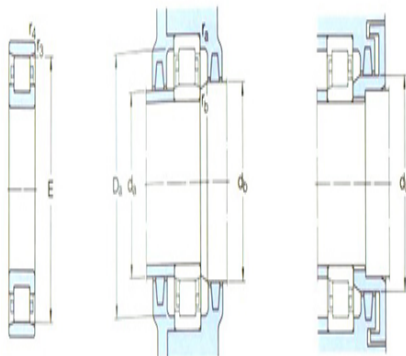
| | |
|---|----|
| d _a the min: | 57 |
| d _a the max: | 57 |
| d _b ,D _a the min: | 66 |
| D _a the max: | 83 |



NU

NJ

NJP



N

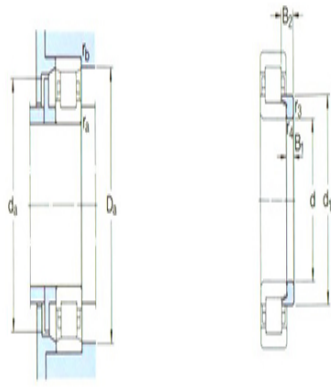


Figure 1

r_a the max: 1

r_b the max: 1

Calculation coefficient

kr: 0.2

Corner circle

model: -

quality: -

Size B1: -

Size B2: -