



Model: NJ410

Basic size of
 mm

d:	50
D:	130
B:	31

The basic rated load is
 kN

trends C:	130
static state Co:	127
Fatigue load limit Pu:	16.6

Rated rotation speed is
 r/min

Refer to the speed:	6000
limit speed:	7000
Specification standard holder:	2.05

model

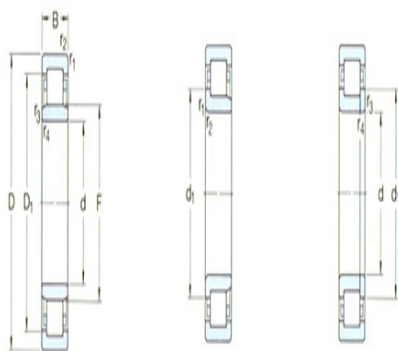
Standard holder:	NJ41 0
Other holder 1):	-

Dimensions are
 mm

d:	50
d ₁ ~ :	78.8
D1 ~ :	102
F,E:	70.8
r _{1,2} the min:	2.1
r _{3,4} the min:	2.1
s ¹⁾ :	2.6

Shoulder gear and chamfer size
 mm

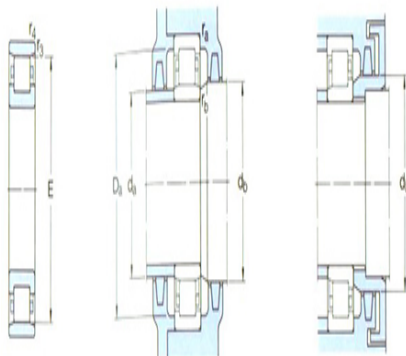
d _a the min:	64
d _a the max:	68
d _b ,D _a the min:	81
D _a the max:	116



NU

NI

NJP



N

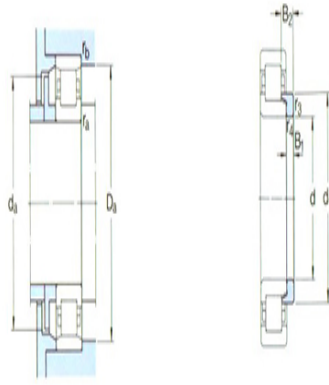


Figure 1

r_a the max: 2

r_b the max: 2

Calculation coefficient

kr: 0.15

Corner circle

model: -

quality: -

Size B1: -

Size B2: -