



Model: NJ211ECP

Basic size of
mm

d:	55
D:	100
B:	21

The basic rated load is
kN

trends C:	96.5
static state Co:	95
Fatigue load limit Pu:	12.2

Rated rotation speed is
r/min

Refer to the speed:	7500
limit speed:	8000
Specification standard holder:	0.67

model

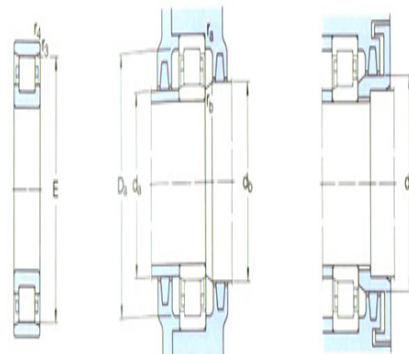
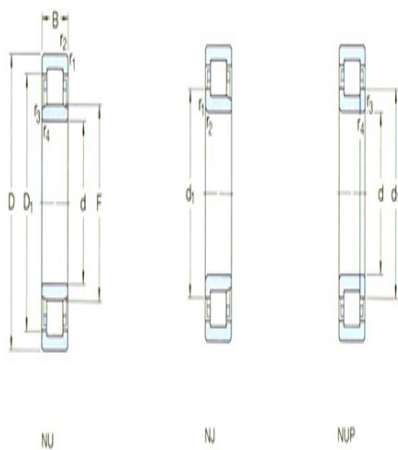
Standard holder:	*NJ211ECP
Other holder 1):	J,M,ML

Dimensions are
mm

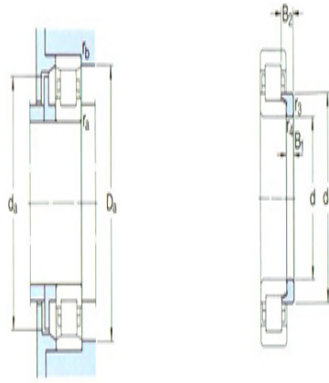
d:	55
d ₁ ~ :	70.8
D1 ~ :	86.3
F,E:	66
r _{1,2} the min:	1.5
r _{3,4} the min:	1.1
s ¹⁾ :	1

Shoulder gear and chamfer size
mm

d _a the min:	64
d _a the max:	64
d _b ,D _a the min:	73
D _a the max:	91



N



图例

r_a the max: 1.5

r_b the max: 1

Calculation coefficient

kr: 0.15

Corner circle

model: HJ211EC

quality: 0.083

Size B1: 6

Size B2: 9.5