



Model: N211ECP

Basic size of
 mm

d:	55
D:	100
B:	21

The basic rated load is
 kN

trends C:	96.5
static state Co:	95
Fatigue load limit Pu:	12.2

Rated rotation speed is
 r/min

Refer to the speed:	7500
limit speed:	8000
Specification standard holder:	0.66

model

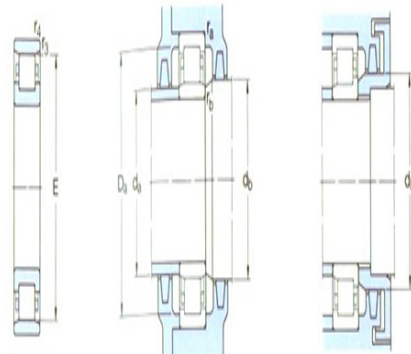
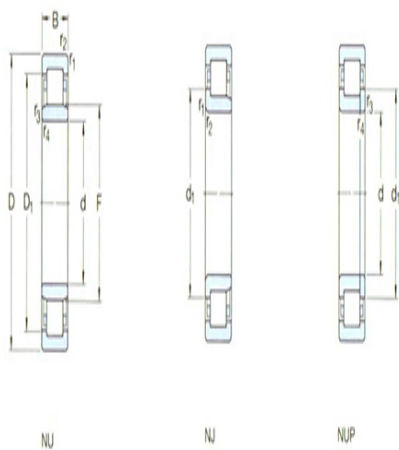
Standard holder:	*N211ECP
Other holder 1):	M

Dimensions are
 mm

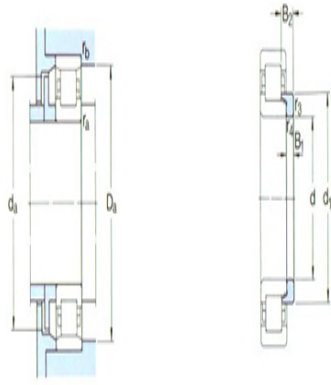
d:	55
d ₁ ~ :	70.8
D1 ~ :	-
F,E:	90
r _{1,2} the min:	1.5
r _{3,4} the min:	1.1
s ¹⁾ :	1

Shoulder gear and chamfer size
 mm

d _a the min:	64
d _a the max:	88
d _b ,Da the min:	92
Da the max:	93



N



角鋼

r_a the max: 1.5

r_b the max: 1

Calculation coefficient

kr: 0.15

Corner circle

model: -

quality: -

Size B1: -

Size B2: -