



Model: NU311ECP

Basic size of
mm

d:	55
D:	120
B:	29

The basic rated load is
kN

trends C:	156
static state Co:	143
Fatigue load limit Pu:	18.6

Rated rotation speed is
r/min

Refer to the speed:	6000
limit speed:	7000
Specification standard holder:	1.45

model

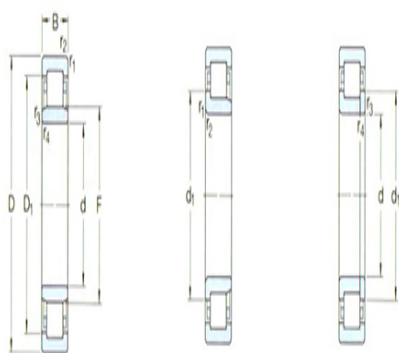
Standard holder:	*NU311EC P
Other holder 1):	J,M,ML

Dimensions are
mm

d:	55
d ₁ ~ :	77.5
D1 ~ :	101
F,E:	70.5
r _{1,2} the min:	2
r _{3,4} the min:	2
s ¹⁾ :	2

Shoulder gear and chamfer size
mm

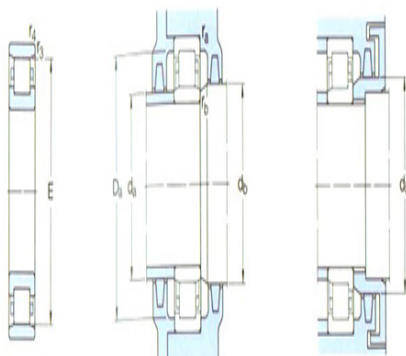
d _a the min:	66
d _a the max:	68
d _b ,D _a the min:	73
D _a the max:	109



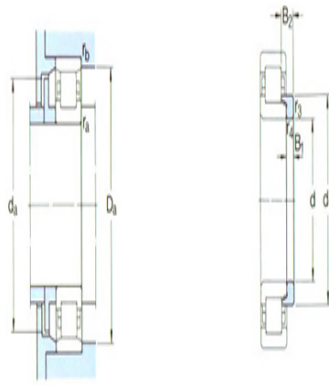
NU

NU

NUP



N



图例

r_a the max: 2

r_b the max: 2

Calculation coefficient

kr: 0.15

Corner circle

model: HJ311EC

quality: 0.19

Size B1: 9

Size B2: 14