



**Model: NU2311ECP**

Basic size of  
 mm

d:	55
D:	120
B:	43

The basic rated load is  
 kN

trends C:	232
static state Co:	232
Fatigue load limit Pu:	30.5

Rated rotation speed is  
 r/min

Refer to the speed:	6000
limit speed:	7000
Specification standard holder:	2.25

model

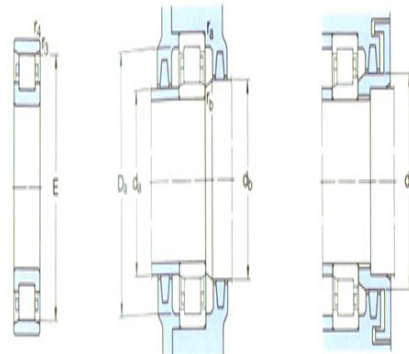
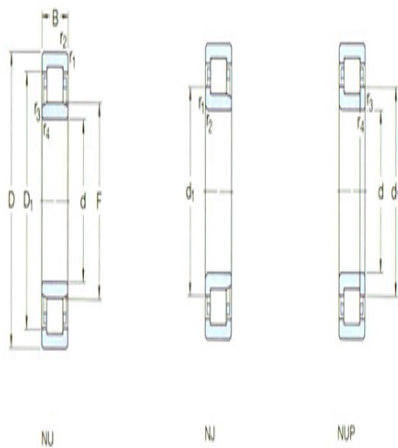
Standard holder:	*NU2311ECP
Other holder 1):	ML

Dimensions are  
 mm

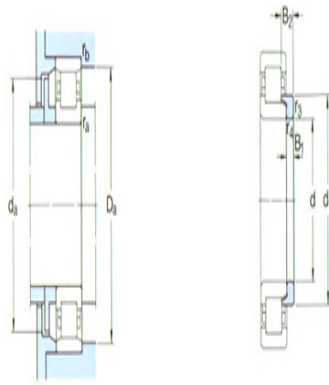
d:	55
d <sub>1</sub> ~ :	77.5
D1 ~ :	101
F,E:	70.5
r <sub>1,2</sub> the min:	2
r <sub>3,4</sub> the min:	2
s <sup>1)</sup> :	3.5

Shoulder gear and chamfer size  
 mm

d <sub>a</sub> the min:	66
d <sub>a</sub> the max:	68
d <sub>b</sub> ,D <sub>a</sub> the min:	73
D <sub>a</sub> the max:	109



N



角鋼

$r_a$ the max:	2
$r_b$ the max:	2

Calculation coefficient

kr:	0.25
-----	------

Corner circle

model:	HJ2311EC
quality:	0.19
Size B1:	9
Size B2:	15.5