



## Model: NU411

Basic size of  
mm

d:	55
D:	140
B:	33

The basic rated load is  
kN

trends C:	142
static state Co:	140
Fatigue load limit Pu:	18.6

Rated rotation speed is  
r/min

Refer to the speed:	5600
limit speed:	6300
Specification standard holder:	2.5

model

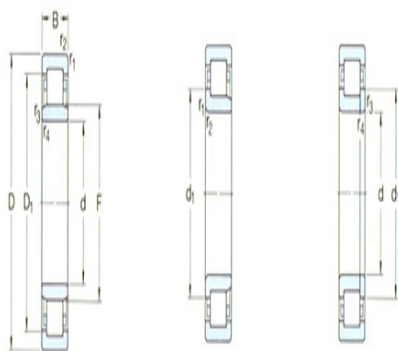
Standard holder:	NU41 1
Other holder 1):	-

Dimensions are  
mm

d:	55
$d_1 \sim$ :	85.2
$D_1 \sim$ :	108
F,E:	77.2
$r_{1,2}$ the min:	2.1
$r_{3,4}$ the min:	2.1
$s^1$ ):	2.6

Shoulder gear and chamfer size  
mm

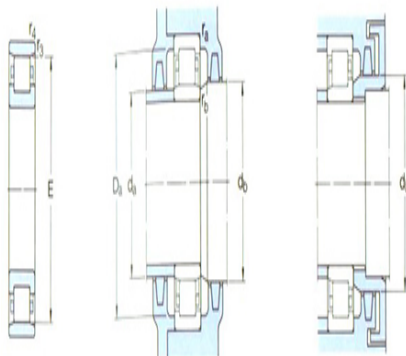
$d_a$ the min:	69
$d_a$ the max:	74
$d_b, D_a$ the min:	79
$D_a$ the max:	126



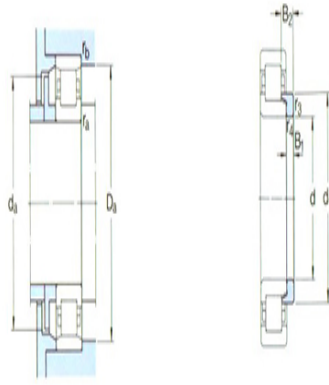
NU

NU

NUP



N



角鋼

$r_a$  the max: 2

$r_b$  the max: 2

Calculation coefficient

kr: 0.15

Corner circle

model: -

quality:

Size B1:

Size B2: