



Model: NJ411

Basic size of
mm

d:	55
D:	140
B:	33

The basic rated load is
kN

trends C:	142
static state Co:	140
Fatigue load limit Pu:	18.6

Rated rotation speed is
r/min

Refer to the speed:	5600
limit speed:	6300
Specification standard holder:	2.55

model

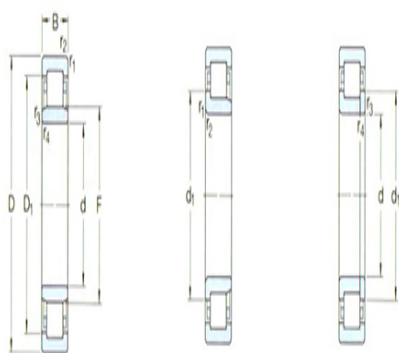
Standard holder:	NJ41 1
Other holder 1):	-

Dimensions are
mm

d:	55
d ₁ ~ :	85.2
D1 ~ :	108
F,E:	77.2
r _{1,2} the min:	2.1
r _{3,4} the min:	2.1
s ¹⁾ :	2.6

Shoulder gear and chamfer size
mm

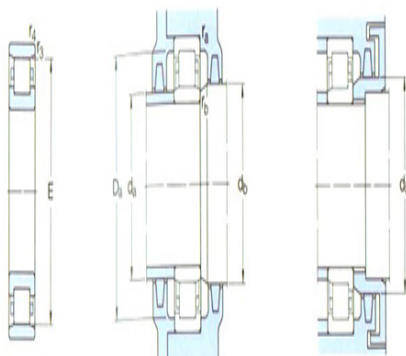
d _a the min:	69
d _a the max:	74
d _b ,Da the min:	88
Da the max:	126



NU

NU

NUP



N

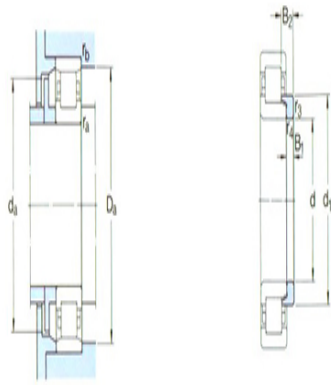


Figure 1

r_a the max: 2

r_b the max: 2

Calculation coefficient

kr: 0.15

Corner circle

model: -

quality:

Size B1:

Size B2: