



Model: NUP212ECP

Basic size of
 mm

d:	60
D:	110
B:	22

The basic rated load is
 kN

trends C:	108
static state Co:	102
Fatigue load limit Pu:	13.4

Rated rotation speed is
 r/min

Refer to the speed:	6700
limit speed:	7500
Specification standard holder:	0.86

model

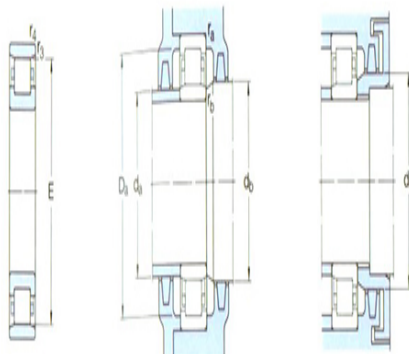
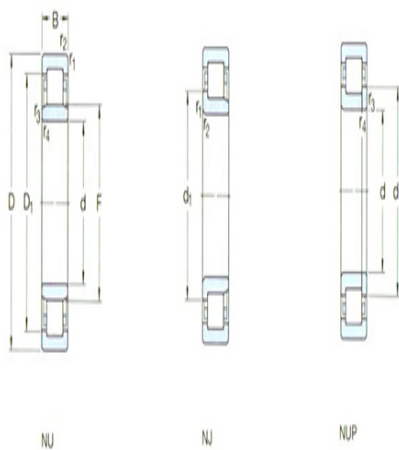
Standard holder:	*NUP212ECP
Other holder 1):	J,ML

Dimensions are
 mm

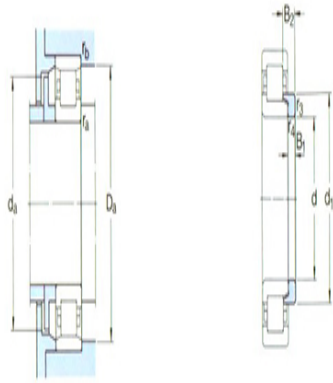
d:	60
d ₁ ~ :	77.5
D1 ~ :	95.7
F,E:	72
r _{1,2} the min:	1.5
r _{3,4} the min:	1.5
s ¹⁾ :	-

Shoulder gear and chamfer size
 mm

d _a the min:	69
d _a the max:	-
d _b ,D _a the min:	80
D _a the max:	101



N



9/10

r_a the max:	1.5
r_b the max:	1.5

Calculation coefficient

kr:	0.15
-----	------

Corner circle

model:	-
quality:	-
Size B1:	-
Size B2:	-