



## Model: NJ2212ECP

Basic size of  
mm

d:	60
D:	110
B:	28

The basic rated load is  
kN

trends C:	146
static state Co:	153
Fatigue load limit Pu:	20

Rated rotation speed is  
r/min

Refer to the speed:	6700
limit speed:	7500
Specification standard holder:	1.15

model

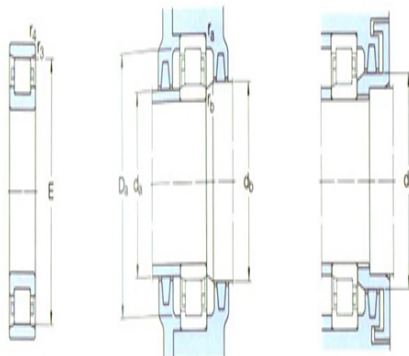
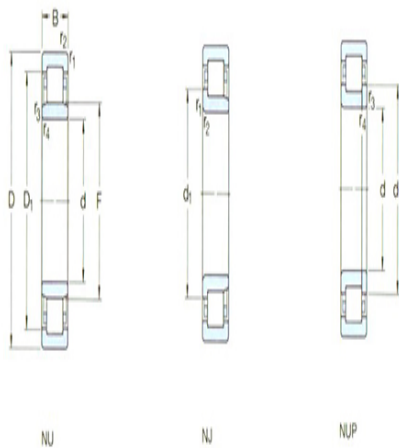
Standard holder:	*NJ2212ECP
Other holder 1):	J,M,ML

Dimensions are  
mm

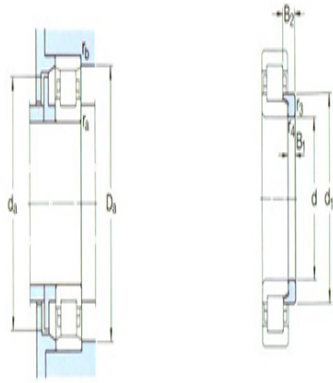
d:	60
$d_1 \sim$ :	77.5
$D1 \sim$ :	95.7
F,E:	72
$r_{1,2}$ the min:	1.5
$r_{3,4}$ the min:	1.5
$s^1$ ):	1.4

Shoulder gear and chamfer size  
mm

$d_a$ the min:	69
$d_a$ the max:	70
$d_b, Da$ the min:	80
$Da$ the max:	101



N



图例

$r_a$ the max:	1.5
$r_b$ the max:	1.5

Calculation coefficient

kr:	0.2
-----	-----

Corner circle

model:	HJ212EC
quality:	0.1
Size B1:	6
Size B2:	10