



Model: NU312ECP

Basic size of
mm

d:	60
D:	130
B:	31

The basic rated load is
kN

trends C:	173
static state Co:	160
Fatigue load limit Pu:	20.8

Rated rotation speed is
r/min

Refer to the speed:	5600
limit speed:	6700
Specification standard holder:	1.8

model

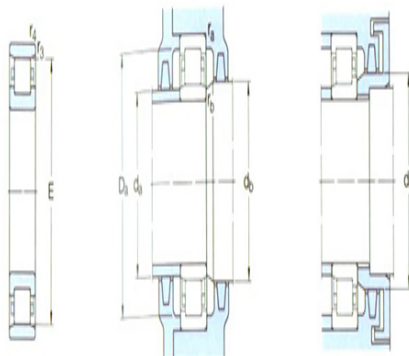
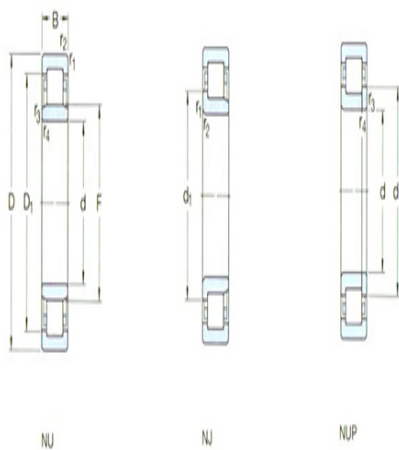
Standard holder:	*NU312ECP
Other holder 1):	J,M,ML

Dimensions are
mm

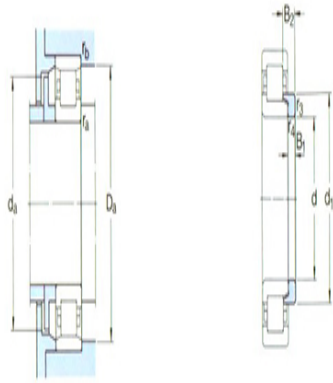
d:	60
d ₁ ~ :	84.3
D1 ~ :	110
F,E:	77
r _{1,2} the min:	2.1
r _{3,4} the min:	2.1
s ¹⁾ :	2.1

Shoulder gear and chamfer size
mm

d _a the min:	72
d _a the max:	74
d _b ,D _a the min:	79
D _a the max:	118



N



r_a the max: 2

r_b the max: 2

Calculation coefficient

kr: 0.15

Corner circle

model: HJ312EC

quality: 0.22

Size B1: 9

Size B2: 14.5