

Model: NJ312ECP

Basic size of
 mm

| | |
|----|-----|
| d: | 60 |
| D: | 130 |
| B: | 31 |

The basic rated load is
 kN

| | |
|---------------------------|------|
| trends C: | 173 |
| static state Co: | 160 |
| Fatigue load limit Pu: | 20.8 |

Rated rotation speed is
 r/min

| | |
|-----------------------------------|------|
| Refer to the speed: | 5600 |
| limit speed: | 6700 |
| Specification standard holder: | 1.9 |

model

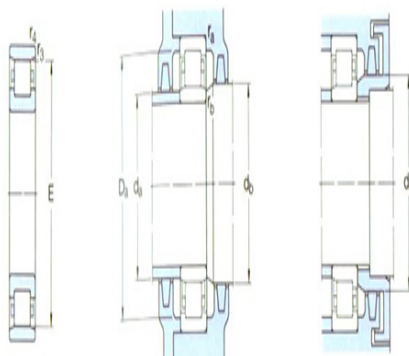
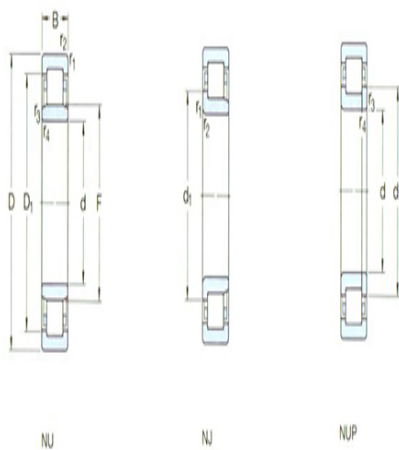
| | |
|------------------|-----------|
| Standard holder: | *NJ312ECP |
| Other holder 1): | J,M,ML |

Dimensions are
 mm

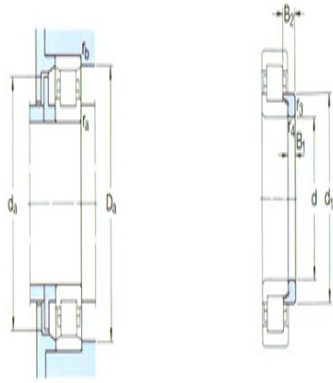
| | |
|---------------------------|------|
| d: | 60 |
| d ₁ ~ : | 84.3 |
| D1 ~ : | 110 |
| F,E: | 77 |
| r _{1,2} the min: | 2.1 |
| r _{3,4} the min: | 2.1 |
| s ¹⁾ : | 2.1 |

Shoulder gear and chamfer size
 mm

| | |
|---|-----|
| d _a the min: | 72 |
| d _a the max: | 74 |
| d _b ,D _a the min: | 87 |
| D _a the max: | 118 |



N



图例

r_a the max: 2

r_b the max: 2

Calculation coefficient

kr: 0.15

Corner circle

model: HJ312EC

quality: 0.22

Size B1: 9

Size B2: 14.5