

Model: N312ECP

Basic size of
mm

d:	60
D:	130
B:	31

The basic rated load is
kN

trends C:	173
static state Co:	160
Fatigue load limit Pu:	20.8

Rated rotation speed is
r/min

Refer to the speed:	5600
limit speed:	6700
Specification standard holder:	1.8

model

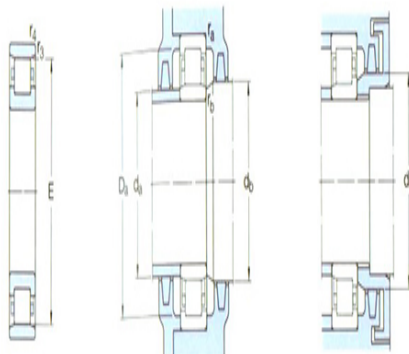
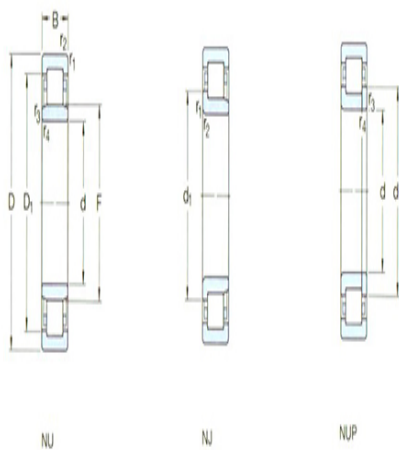
Standard holder:	*N312ECP
Other holder 1):	M

Dimensions are
mm

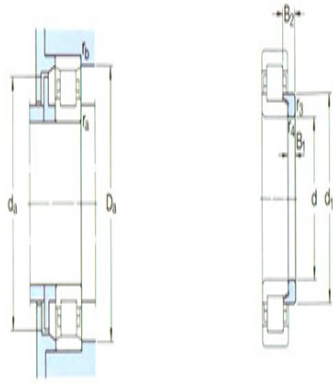
d:	60
d ₁ ~ :	84.3
D1 ~ :	-
F,E:	115
r _{1,2} the min:	2.1
r _{3,4} the min:	2.1
s ¹⁾ :	2.1

Shoulder gear and chamfer size
mm

d _a the min:	72
d _a the max:	112
d _b ,D _a the min:	118
D _a the max:	118



N



9/11

r_a the max:	2
r_b the max:	2

Calculation coefficient

kr:	0.15
-----	------

Corner circle

model:	-
quality:	-
Size B1:	-
Size B2:	-