

**Model: NJ2312ECP**

Basic size of  
 mm

d:	60
D:	130
B:	46

The basic rated load is  
 kN

trends C:	260
static state Co:	265
Fatigue load limit Pu:	34.5

Rated rotation speed is  
 r/min

Refer to the speed:	5600
limit speed:	6700
Specification standard holder:	2.8

model

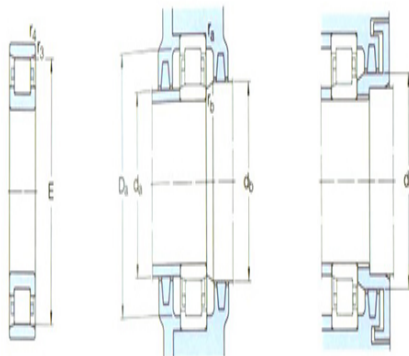
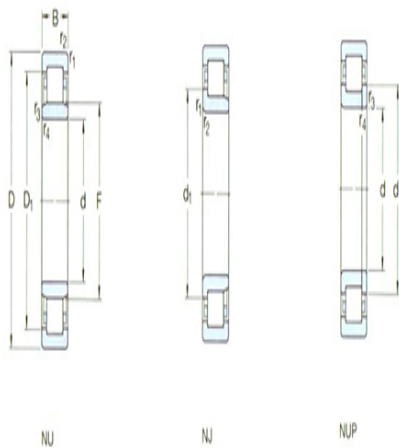
Standard holder:	*NJ2312ECP
Other holder 1):	ML

Dimensions are  
 mm

d:	60
d <sub>1</sub> ~ :	84.3
D1 ~ :	110
F,E:	77
r <sub>1,2</sub> the min:	2.1
r <sub>3,4</sub> the min:	2.1
s <sup>1)</sup> :	3.6

Shoulder gear and chamfer size  
 mm

d <sub>a</sub> the min:	72
d <sub>a</sub> the max:	74
d <sub>b</sub> ,D <sub>a</sub> the min:	87
D <sub>a</sub> the max:	118



N



9/10

$r_a$  the max: 2

$r_b$  the max: 2

Calculation coefficient

kr: 0.25

Corner circle

model: -

quality: -

Size B1: -

Size B2: -