



Model: NU412

Basic size of
mm

d:	60
D:	150
B:	35

The basic rated load is
kN

trends C:	168
static state Co:	173
Fatigue load limit Pu:	22

Rated rotation speed is
r/min

Refer to the speed:	5000
limit speed:	6000
Specification standard holder:	3

model

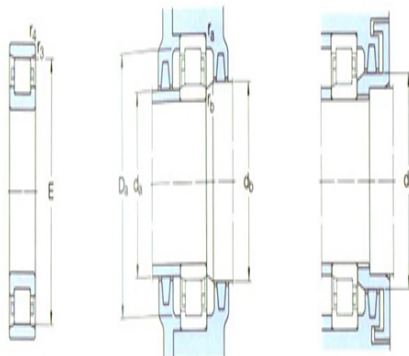
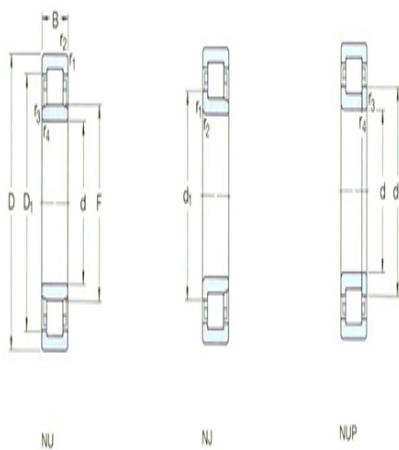
Standard holder:	NU41 2
Other holder 1):	-

Dimensions are
mm

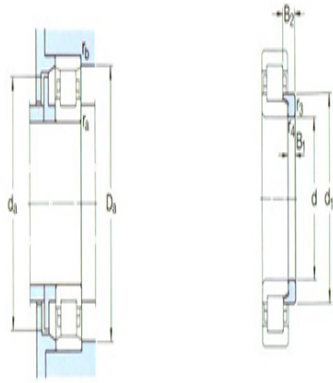
d:	60
d ₁ ~ :	-
D1 ~ :	117
F,E:	83
r _{1,2} the min:	2.1
r _{3,4} the min:	2.1
s ¹⁾ :	2.5

Shoulder gear and chamfer size
mm

d _a the min:	74
d _a the max:	80
d _b ,D _a the min:	85
D _a the max:	136



N



图例

r_a the max: 2

r_b the max: 2

Calculation coefficient

kr: 0.15

Corner circle

model: -

quality: -

Size B1: -

Size B2: -