



Model: NJ412

Basic size of
 mm

d:	60
D:	150
B:	35

The basic rated load is
 kN

trends C:	168
static state Co:	173
Fatigue load limit Pu:	22

Rated rotation speed is
 r/min

Refer to the speed:	5000
limit speed:	6000
Specification standard holder:	3.1

model

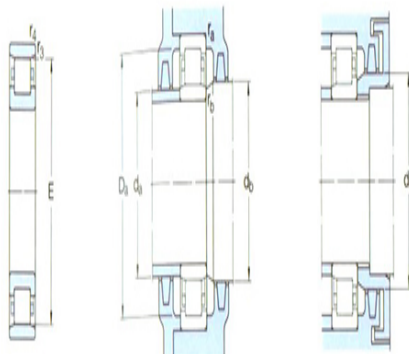
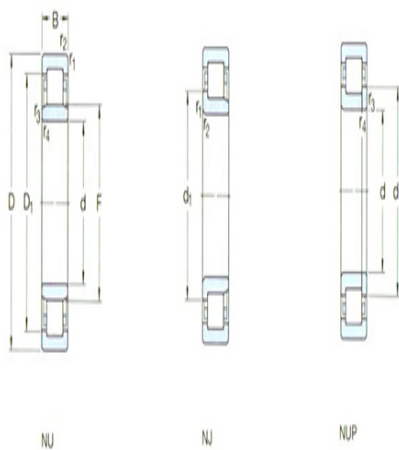
Standard holder:	NJ41 2
Other holder 1):	-

Dimensions are
 mm

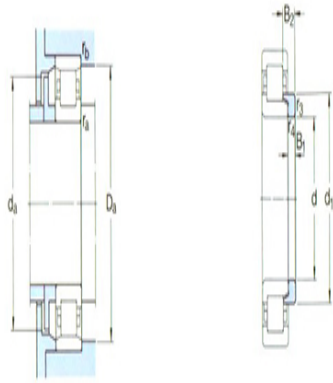
d:	60
$d_1 \sim$:	91.8
$D1 \sim$:	117
F,E:	83
$r_{1,2}$ the min:	2.1
$r_{3,4}$ the min:	2.1
s^1):	2.5

Shoulder gear and chamfer size
 mm

d_a the min:	74
d_a the max:	80
d_b, D_a the min:	94
D_a the max:	136



N



9/10

r_a the max: 2

r_b the max: 2

Calculation coefficient

kr: 0.15

Corner circle

model: -

quality: -

Size B1: -

Size B2: -