



Model: NU1013ECP

Basic size of
 mm

d:	65
D:	100
B:	18

The basic rated load is
 kN

trends C:	62.7
static state Co:	81.5
Fatigue load limit Pu:	9.8

Rated rotation speed is
 r/min

Refer to the speed:	7000
limit speed:	7500
Specification standard holder:	0.45

model

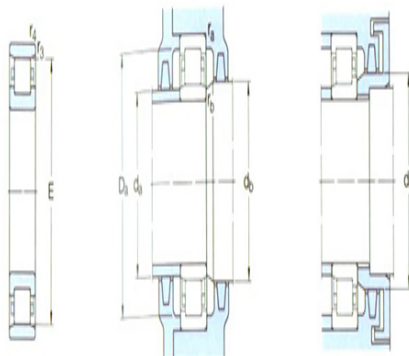
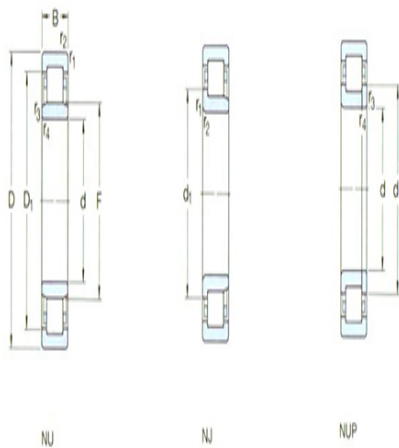
Standard holder:	NU1013ECP
Other holder 1):	-

Dimensions are
 mm

d:	65
d ₁ ~ :	-
D1 ~ :	88.5
F,E:	74
r _{1,2} the min:	1.1
r _{3,4} the min:	1
s ¹⁾ :	1

Shoulder gear and chamfer size
 mm

d _a the min:	69.6
d _a the max:	72
d _b ,D _a the min:	77
D _a the max:	94



N



9/10

r_a the max: 1

r_b the max: 1

Calculation coefficient

kr: 0.1

Corner circle

model: -

quality: -

Size B1: -

Size B2: -