



Model: NJ213ECP

Basic size of
mm

d:	65
D:	120
B:	23

The basic rated load is
kN

trends C:	122
static state Co:	118
Fatigue load limit Pu:	15.6

Rated rotation speed is
r/min

Refer to the speed:	6300
limit speed:	6700
Specification standard holder:	1.07

model

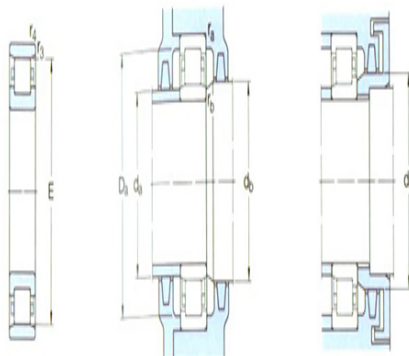
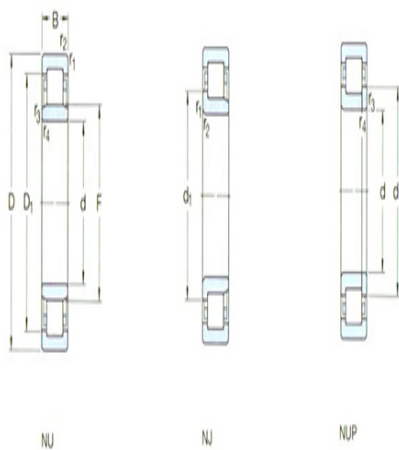
Standard holder:	*NJ213ECP
Other holder 1):	J,M,ML

Dimensions are
mm

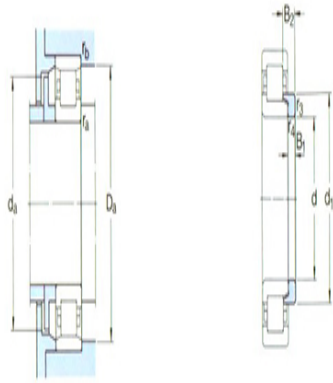
d:	65
d ₁ ~ :	84.4
D1 ~ :	104
F,E:	78.5
r _{1,2} the min:	1.5
r _{3,4} the min:	1.5
s ¹⁾ :	1.4

Shoulder gear and chamfer size
mm

d _a the min:	74
d _a the max:	76
d _b ,Da the min:	87
Da the max:	111



N



图例

r_a the max:	1.5
r_b the max:	1.5

Calculation coefficient

kr:	0.15
-----	------

Corner circle

model:	HJ213EC
quality:	0.12
Size B1:	6
Size B2:	10