

Model: NUP213ECP

Basic size of
mm

d:	65
D:	120
B:	23

The basic rated load is
kN

trends C:	122
static state Co:	118
Fatigue load limit Pu:	15.6

Rated rotation speed is
r/min

Refer to the speed:	6300
limit speed:	6700
Specification standard holder:	1.1

model

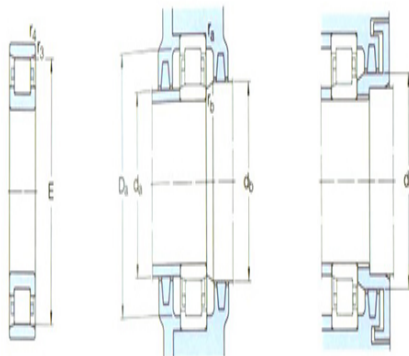
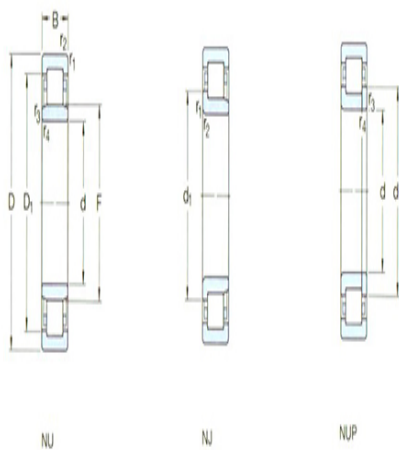
Standard holder:	*NUP213ECP
Other holder 1):	J,ML

Dimensions are
mm

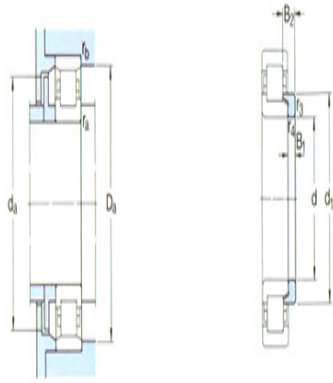
d:	65
d ₁ ~ :	84.4
D1 ~ :	104
F,E:	78.5
r _{1,2} the min:	1.5
r _{3,4} the min:	1.5
s ¹⁾ :	-

Shoulder gear and chamfer size
mm

d _a the min:	74
d _a the max:	-
d _b ,D _a the min:	87
D _a the max:	111



N



9/10

r_a the max: 1.5

r_b the max: 1.5

Calculation coefficient

kr: 0.15

Corner circle

model: -

quality: -

Size B1: -

Size B2: -