

Model: N213ECP

Basic size of
 mm

d:	65
D:	120
B:	23

The basic rated load is
 kN

trends C:	122
static state Co:	118
Fatigue load limit Pu:	15.6

Rated rotation speed is
 r/min

Refer to the speed:	6300
limit speed:	6700
Specification standard holder:	1.05

model

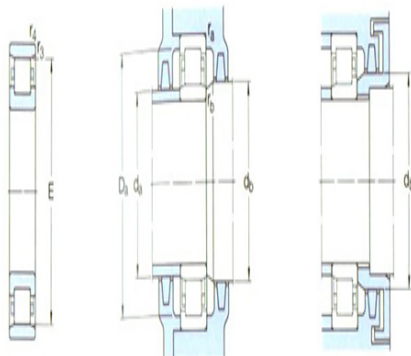
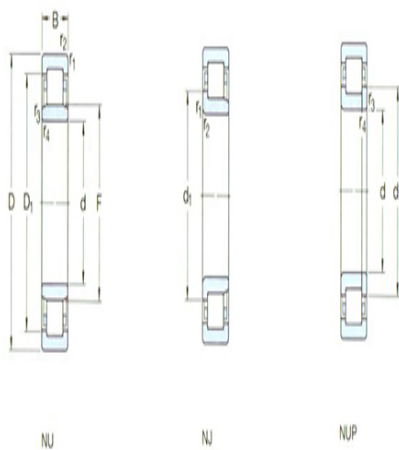
Standard holder:	*N213ECP
Other holder 1):	-

Dimensions are
 mm

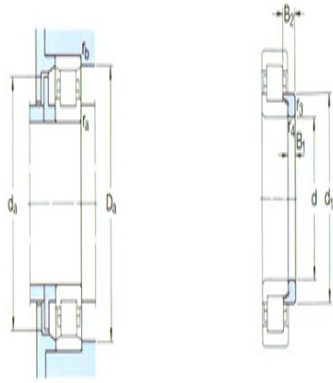
d:	65
d ₁ ~ :	84.4
D1 ~ :	-
F,E:	108.5
r _{1,2} the min:	1.5
r _{3,4} the min:	1.5
s ¹⁾ :	1.4

Shoulder gear and chamfer size
 mm

d _a the min:	74
d _a the max:	106
d _b ,D _a the min:	111
D _a the max:	111



N



图例

r_a the max:	1.5
r_b the max:	1.5

Calculation coefficient

kr:	0.15
-----	------

Corner circle

model:	-
quality:	-
Size B1:	-
Size B2:	-