



Model: NJ2213ECP

Basic size of
mm

d:	65
D:	120
B:	31

The basic rated load is
kN

trends C:	170
static state Co:	180
Fatigue load limit Pu:	24

Rated rotation speed is
r/min

Refer to the speed:	6300
limit speed:	6700
Specification standard holder:	1.45

model

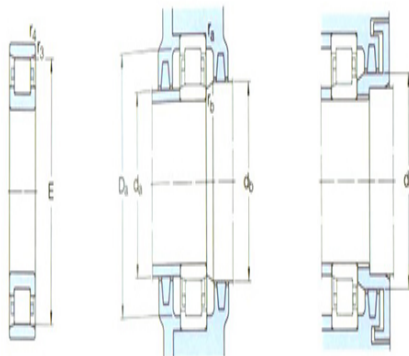
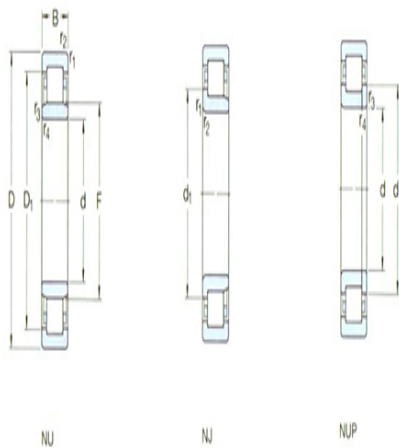
Standard holder:	*NJ2213ECP
Other holder 1):	J

Dimensions are
mm

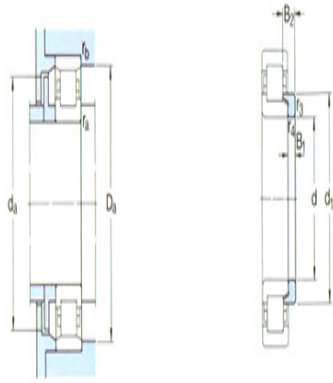
d:	65
d ₁ ~ :	84.4
D1 ~ :	104
F,E:	78.5
r _{1,2} the min:	1.5
r _{3,4} the min:	1.5
s ¹⁾ :	1.9

Shoulder gear and chamfer size
mm

d _a the min:	74
d _a the max:	76
d _b ,D _a the min:	87
D _a the max:	111



N



图例

r_a the max:	1.5
r_b the max:	1.5

Calculation coefficient

kr:	0.2
-----	-----

Corner circle

model:	-
quality:	-
Size B1:	-
Size B2:	-