



Model: NJ313ECP

Basic size of
 mm

d:	65
D:	140
B:	33

The basic rated load is
 kN

trends C:	212
static state Co:	196
Fatigue load limit Pu:	25.5

Rated rotation speed is
 r/min

Refer to the speed:	5300
limit speed:	6000
Specification standard holder:	2.3

model

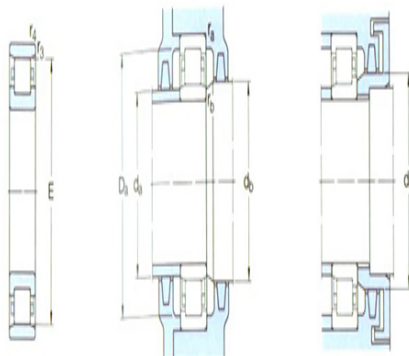
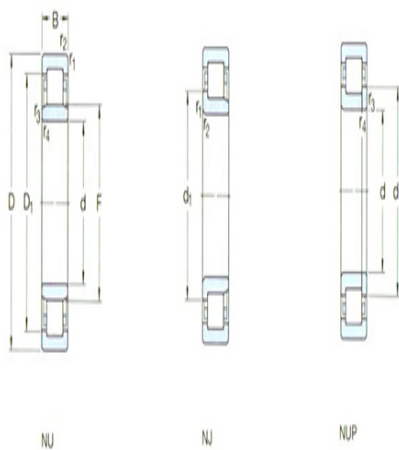
Standard holder:	*NJ313ECP
Other holder 1):	J,M,ML

Dimensions are
 mm

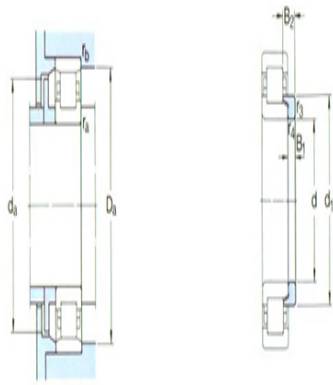
d:	65
d ₁ ~ :	90.5
D1 ~ :	119
F,E:	82.5
r _{1,2} the min:	2.1
r _{3,4} the min:	2.1
s ¹⁾ :	2.2

Shoulder gear and chamfer size
 mm

d _a the min:	77
d _a the max:	80
d _b ,D _a the min:	93
D _a the max:	128



N



图例

r_a the max: 2

r_b the max: 2

Calculation coefficient

kr: 0.15

Corner circle

model: HJ313EC

quality: 0.27

Size B1: 10

Size B2: 15.5