



Model: NUP313ECP

Basic size of
 mm

d:	65
D:	140
B:	33

The basic rated load is
 kN

trends C:	212
static state Co:	196
Fatigue load limit Pu:	25.5

Rated rotation speed is
 r/min

Refer to the speed:	5300
limit speed:	6000
Specification standard holder:	2.35

model

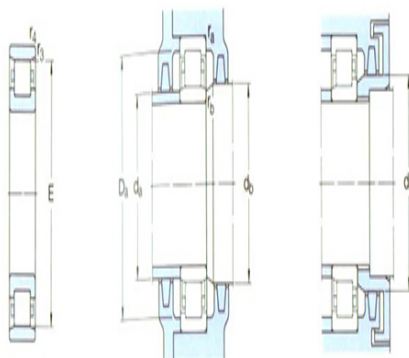
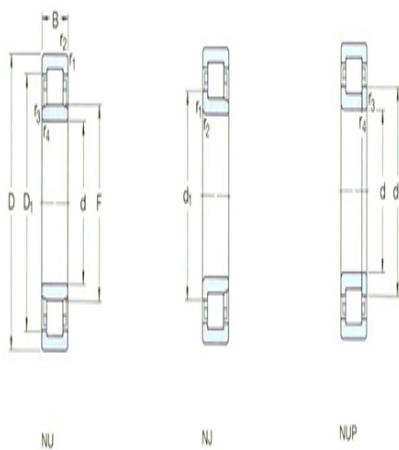
Standard holder:	*NUP313ECP
Other holder 1):	J,ML

Dimensions are
 mm

d:	65
d ₁ ~ :	90.5
D1 ~ :	119
F,E:	82.5
r _{1,2} the min:	2.1
r _{3,4} the min:	2.1
s ¹⁾ :	-

Shoulder gear and chamfer size
 mm

d _a the min:	77
d _a the max:	-
d _b ,Da the min:	93
Da the max:	128



N



9/10

r_a the max:	2
r_b the max:	2

Calculation coefficient

kr:	0.15
-----	------

Corner circle

model:	-
quality:	-
Size B1:	-
Size B2:	-