



## Model: N313ECP

Basic size of  
mm

d:	65
D:	140
B:	33

The basic rated load is  
kN

trends C:	212
static state Co:	196
Fatigue load limit Pu:	25.5

Rated rotation speed is  
r/min

Refer to the speed:	5300
limit speed:	6000
Specification standard holder:	2.25

model

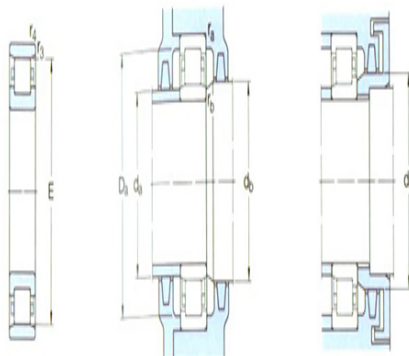
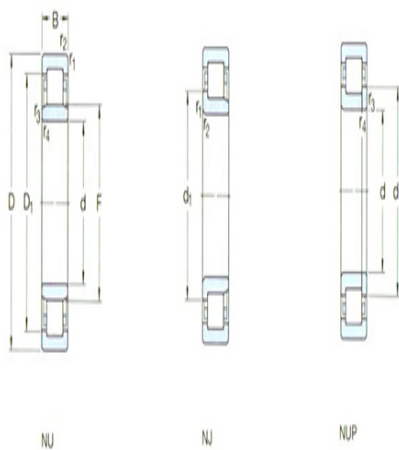
Standard holder:	*N313ECP
Other holder 1):	M

Dimensions are  
mm

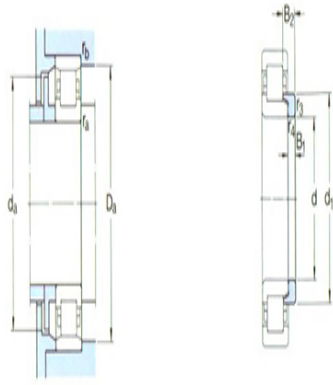
d:	65
d <sub>1</sub> ~ :	90.5
D1 ~ :	-
F,E:	124.5
r <sub>1,2</sub> the min:	2.1
r <sub>3,4</sub> the min:	2.1
s <sup>1)</sup> :	2.2

Shoulder gear and chamfer size  
mm

d <sub>a</sub> the min:	77
d <sub>a</sub> the max:	122
d <sub>b</sub> ,D <sub>a</sub> the min:	127
D <sub>a</sub> the max:	128



N



图例

$r_a$ the max:	2
$r_b$ the max:	2

Calculation coefficient

kr:	0.15
-----	------

Corner circle

model:	-
quality:	-
Size B1:	-
Size B2:	-