



Model: NUP2214ECP

Basic size of
 mm

d:	70
D:	125
B:	31

The basic rated load is
 kN

trends C:	180
static state Co:	193
Fatigue load limit Pu:	25.5

Rated rotation speed is
 r/min

Refer to the speed:	6000
limit speed:	6300
Specification standard holder:	1.55

model

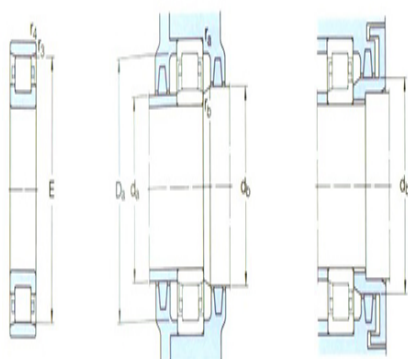
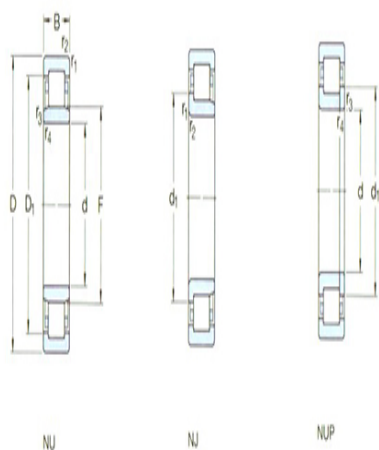
Standard holder:	*NUP2214ECP
Other holder 1):	M,ML

Dimensions are
 mm

d:	70
d ₁ ~ :	89.4
D1 ~ :	109
F,E:	83.5
r _{1,2} the min:	1.5
r _{3,4} the min:	1.5
s ¹⁾ :	-

Shoulder gear and chamfer size
 mm

d _a the min:	79
d _a the max:	-
d _b ,Da the min:	92
Da the max:	116



N

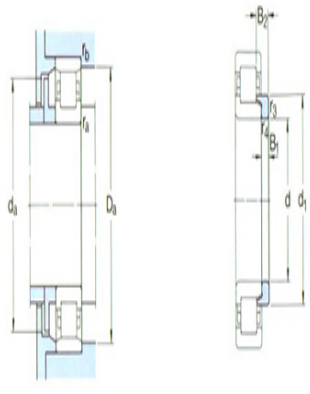


Figure 1

r_a the max:	1.5
r_b the max:	1.5

Calculation coefficient

kr:	0.2
-----	-----

Corner circle

model:	-
quality:	-
Size B1:	-
Size B2:	-