

## Model: NJ2215ECP

Basic size of  
 mm

d:	75
D:	130
B:	31

The basic rated load is  
 kN

trends C:	186
static state Co:	208
Fatigue load limit Pu:	27

Rated rotation speed is  
 r/min

Refer to the speed:	5600
limit speed:	6000
Specification standard holder:	1.6

model

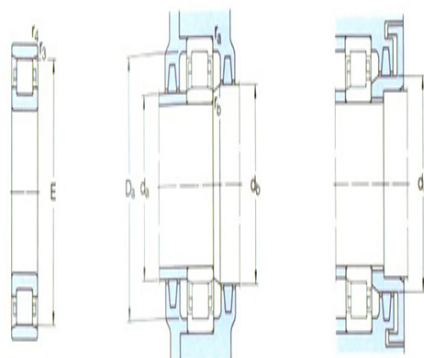
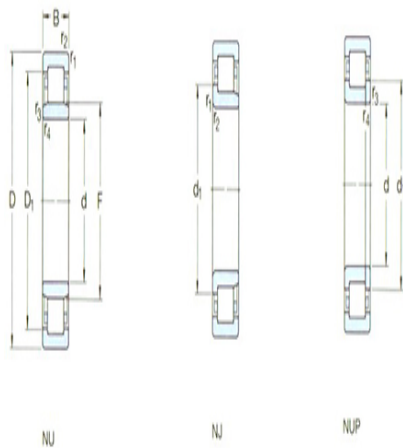
Standard holder:	*NJ2215ECP
Other holder 1):	J,ML

Dimensions are  
 mm

d:	75
d <sub>1</sub> ~ :	94.3
D1 ~ :	114
F,E:	88.5
r <sub>1,2</sub> the min:	1.5
r <sub>3,4</sub> the min:	1.5
s <sup>1)</sup> :	1.7

Shoulder gear and chamfer size  
 mm

d <sub>a</sub> the min:	84
d <sub>a</sub> the max:	86
d <sub>b</sub> ,D <sub>a</sub> the min:	97
D <sub>a</sub> the max:	121



N



11

$r_a$  the max: 1.5

$r_b$  the max: 1.5

Calculation coefficient

kr: 0.2

Corner circle

model: -

quality: -

Size B1: -

Size B2: -