



Model: NJ415

Basic size of
mm

d:	75
D:	190
B:	45

The basic rated load is
kN

trends C:	264
static state Co:	280
Fatigue load limit Pu:	34

Rated rotation speed is
r/min

Refer to the speed:	4000
limit speed:	4800
Specification standard holder:	6.9

model

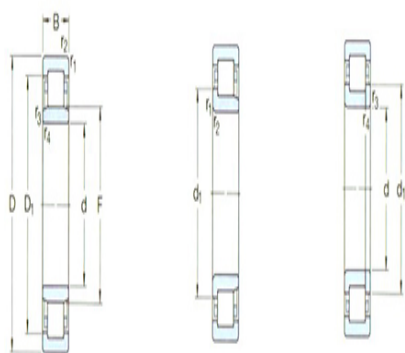
Standard holder:	NJ41 5
Other holder 1):	-

Dimensions are
mm

d:	75
d ₁ ~ :	116
D1 ~ :	148
F,E:	104.5
r _{1,2} the min:	3
r _{3,4} the min:	3
s ¹⁾ :	3.8

Shoulder gear and chamfer size
mm

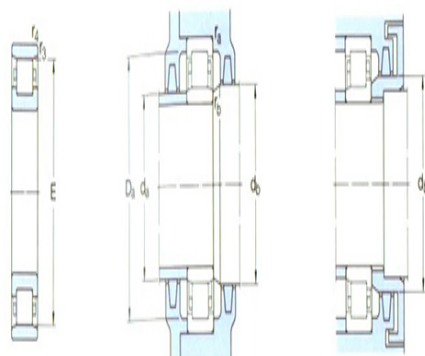
d _a the min:	91
d _a the max:	101
d _b ,D _a the min:	119
D _a the max:	174



NU

NJ

NUP



N



9/11

r_a the max: 2.5

r_b the max: 2.5

Calculation coefficient

kr: 0.15

Corner circle

model: -

quality: -

Size B1: -

Size B2: -