

Model: NJ1016ECML

Basic size of
mm

d:	80
D:	125
B:	22

The basic rated load is
kN

trends C:	99
static state Co:	127
Fatigue load limit Pu:	16.3

Rated rotation speed is
r/min

Refer to the speed:	5600
limit speed:	9500
Specification standard holder:	1.1

model

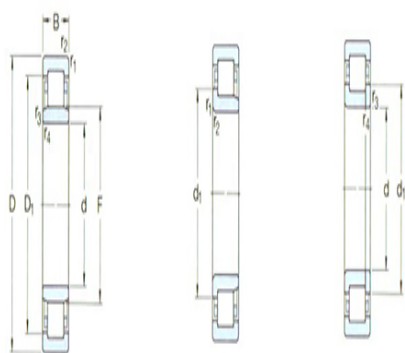
Standard holder:	NJ1016ECML
Other holder 1):	-

Dimensions are
mm

d:	80
d ₁ ~ :	96.2
D1 ~ :	111
F,E:	91.5
r _{1,2} the min:	1.1
r _{3,4} the min:	1
s ¹⁾ :	1.5

Shoulder gear and chamfer size
mm

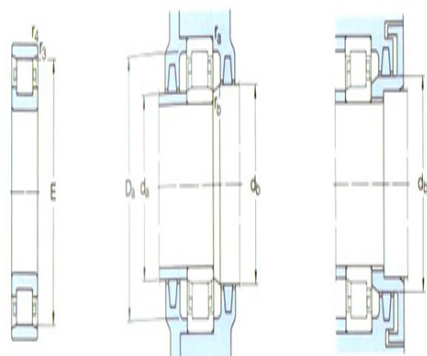
d _a the min:	86
d _a the max:	90
d _b ,D _a the min:	94
D _a the max:	119



NU

NU

NUP



N



9/11

r_a the max:	1
r_b the max:	1

Calculation coefficient

kr:	0.1
-----	-----

Corner circle

model:	-
quality:	-
Size B1:	-
Size B2:	-