

Model: NU216ECP

Basic size of
mm

d:	80
D:	140
B:	26

The basic rated load is
kN

trends C:	160
static state Co:	166
Fatigue load limit Pu:	21.2

Rated rotation speed is
r/min

Refer to the speed:	5300
limit speed:	5600
Specification standard holder:	1.5

model

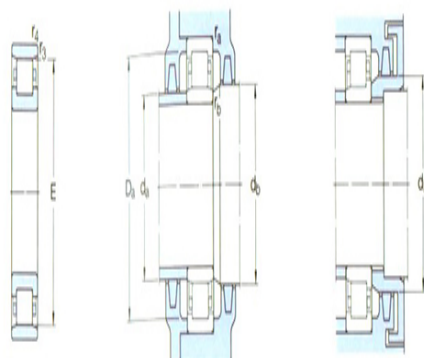
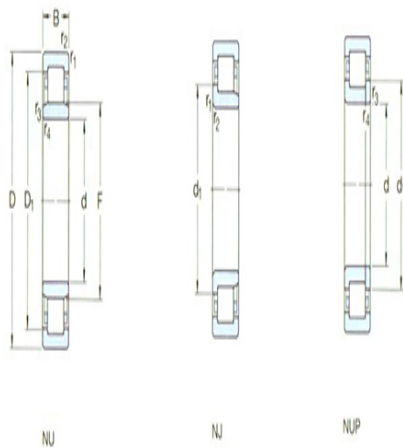
Standard holder:	*NU216ECP
Other holder 1):	J,M,ML

Dimensions are
mm

d:	80
d ₁ ~ :	101
D1 ~ :	123
F,E:	95.3
r _{1,2} the min:	2
r _{3,4} the min:	2
s ¹⁾ :	1.4

Shoulder gear and chamfer size
mm

d _a the min:	91
d _a the max:	93
d _b ,D _a the min:	98
D _a the max:	129



N



9/11

r_a the max:	2
r_b the max:	2

Calculation coefficient

kr:	0.15
-----	------

Corner circle

model:	HJ216EC
quality:	0.21
Size B1:	8
Size B2:	12.5