

Model: NUP216ECP

Basic size of
mm

d:	80
D:	140
B:	26

The basic rated load is
kN

trends C:	160
static state Co:	166
Fatigue load limit Pu:	21.2

Rated rotation speed is
r/min

Refer to the speed:	5300
limit speed:	5600
Specification standard holder:	1.65

model

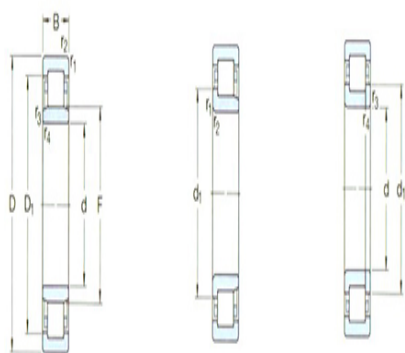
Standard holder:	*NUP216ECP
Other holder 1):	ML

Dimensions are
mm

d:	80
d ₁ ~ :	101
D1 ~ :	123
F,E:	95.3
r _{1,2} the min:	2
r _{3,4} the min:	2
s ¹⁾ :	-

Shoulder gear and chamfer size
mm

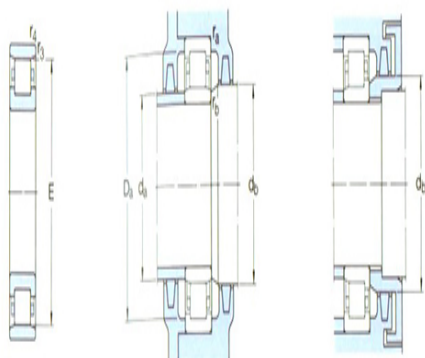
d _a the min:	91
d _a the max:	-
d _b ,D _a the min:	104
D _a the max:	129



NU

N

NUP



N



11

r_a the max:	2
r_b the max:	2

Calculation coefficient

kr:	0.15
-----	------

Corner circle

model:	-
quality:	-
Size B1:	-
Size B2:	-