



## Model: NUP2216ECP

Basic size of  
 mm

|    |     |
|----|-----|
| d: | 80  |
| D: | 140 |
| B: | 33  |

The basic rated load is  
 kN

|                        |     |
|------------------------|-----|
| trends C:              | 212 |
| static state Co:       | 245 |
| Fatigue load limit Pu: | 31  |

Rated rotation speed is  
 r/min

|                                |      |
|--------------------------------|------|
| Refer to the speed:            | 5300 |
| limit speed:                   | 5600 |
| Specification standard holder: | 2.1  |

model

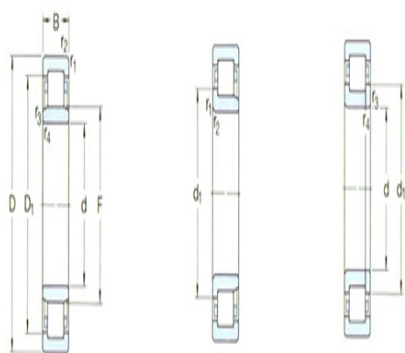
|                  |             |
|------------------|-------------|
| Standard holder: | *NUP2216ECP |
| Other holder 1): | M,ML        |

Dimensions are  
 mm

|                           |      |
|---------------------------|------|
| d:                        | 80   |
| d <sub>1</sub> ~ :        | 101  |
| D1 ~ :                    | 123  |
| F,E:                      | 95.3 |
| r <sub>1,2</sub> the min: | 2    |
| r <sub>3,4</sub> the min: | 2    |
| s <sup>1)</sup> :         | -    |

Shoulder gear and chamfer size  
 mm

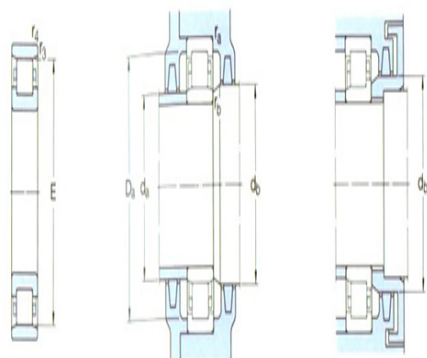
|                             |     |
|-----------------------------|-----|
| d <sub>a</sub> the min:     | 91  |
| d <sub>a</sub> the max:     | -   |
| d <sub>b</sub> ,Da the min: | 104 |
| Da the max:                 | 129 |



NU

NU

NUP



N



11

$r_a$  the max: 2

$r_b$  the max: 2

Calculation coefficient

kr: 0.2

Corner circle

model: -

quality: -

Size B1: -

Size B2: -