

Model: NUP316ECP

Basic size of
mm

d:	80
D:	170
B:	39

The basic rated load is
kN

trends C:	300
static state Co:	290
Fatigue load limit Pu:	36

Rated rotation speed is
r/min

Refer to the speed:	4300
limit speed:	5000
Specification standard holder:	4.1

model

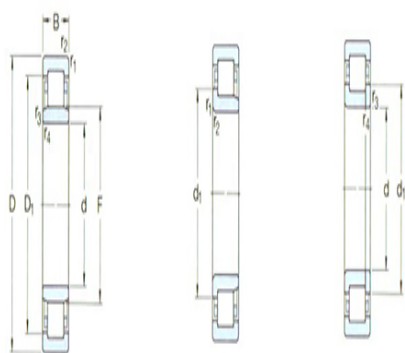
Standard holder:	*NUP316ECP
Other holder 1):	M,ML

Dimensions are
mm

d:	80
d ₁ ~ :	110
D1 ~ :	144
F,E:	101
r _{1,2} the min:	2.1
r _{3,4} the min:	2.1
s ¹⁾ :	-

Shoulder gear and chamfer size
mm

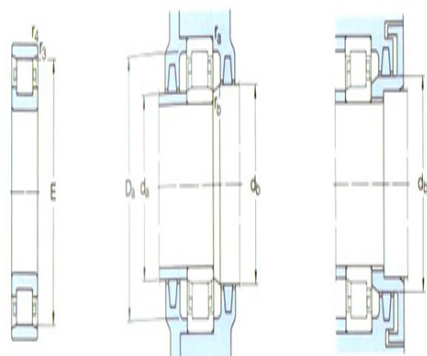
d _a the min:	92
d _a the max:	-
d _b ,D _a the min:	113
D _a the max:	158



NU

N

NUP



N



9/11

r_a the max:	2
r_b the max:	2

Calculation coefficient

kr:	0.15
-----	------

Corner circle

model:	-
quality:	-
Size B1:	-
Size B2:	-