

Model: N316ECP

Basic size of
mm

d:	80
D:	170
B:	39

The basic rated load is
kN

trends C:	300
static state Co:	290
Fatigue load limit Pu:	36

Rated rotation speed is
r/min

Refer to the speed:	4300
limit speed:	5000
Specification standard holder:	3.9

model

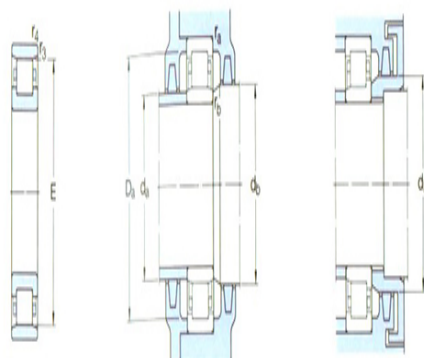
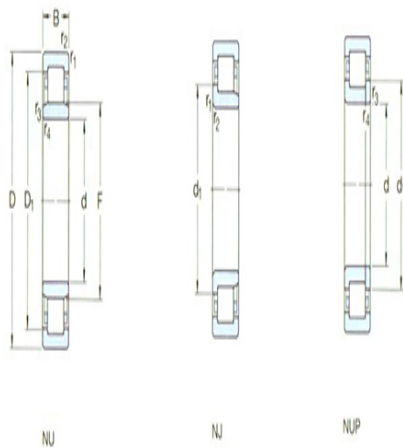
Standard holder:	*N316EC P
Other holder 1):	M

Dimensions are
mm

d:	80
d ₁ ~ :	110
D1 ~ :	-
F,E:	151
r _{1,2} the min:	2.1
r _{3,4} the min:	2.1
s ¹⁾ :	2.1

Shoulder gear and chamfer size
mm

d _a the min:	92
d _a the max:	148
d _b ,D _a the min:	154
D _a the max:	158



N



11

r_a the max:	2
r_b the max:	2

Calculation coefficient

kr:	0.15
-----	------

Corner circle

model:	-
quality:	-
Size B1:	-
Size B2:	-