



## Model: NUP2316ECP

Basic size of  
 mm

d:	80
D:	170
B:	58

The basic rated load is  
 kN

trends C:	415
static state Co:	440
Fatigue load limit Pu:	55

Rated rotation speed is  
 r/min

Refer to the speed:	4300
limit speed:	5000
Specification standard holder:	6

model

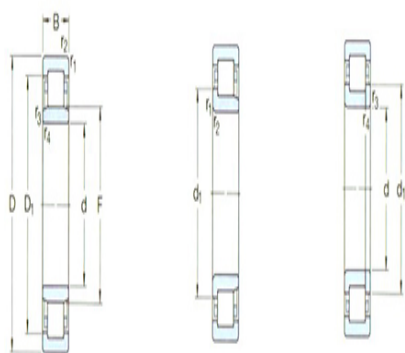
Standard holder:	*NUP2316ECP
Other holder 1):	M,ML

Dimensions are  
 mm

d:	80
d <sub>1</sub> ~ :	110
D1 ~ :	144
F,E:	101
r <sub>1,2</sub> the min:	2.1
r <sub>3,4</sub> the min:	2.1
s <sup>1)</sup> :	-

Shoulder gear and chamfer size  
 mm

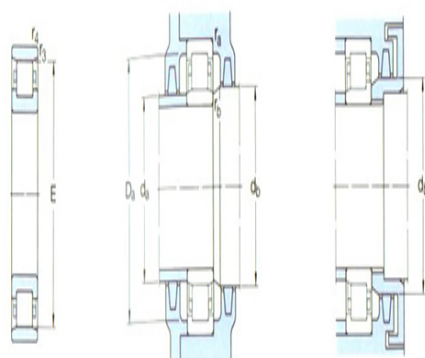
d <sub>a</sub> the min:	92
d <sub>a</sub> the max:	-
d <sub>b</sub> ,D <sub>a</sub> the min:	113
D <sub>a</sub> the max:	158



NU

N

NUP



N



11

$r_a$  the max: 2

$r_b$  the max: 2

Calculation coefficient

kr: 0.25

Corner circle

model: -

quality: -

Size B1: -

Size B2: -