



Model: NU416

Basic size of
mm

d:	80
D:	200
B:	48

The basic rated load is
kN

trends C:	303
static state Co:	320
Fatigue load limit Pu:	39

Rated rotation speed is
r/min

Refer to the speed:	3800
limit speed:	4500
Specification standard holder:	7.3

model

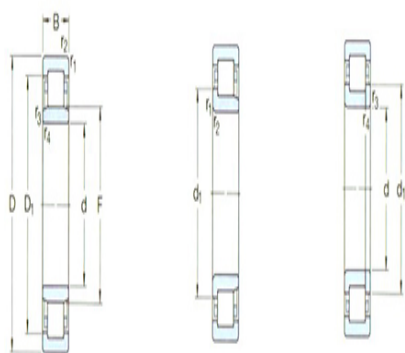
Standard holder:	NU416
Other holder 1):	-

Dimensions are
mm

d:	80
d ₁ ~ :	122
D1 ~ :	157
F,E:	110
r _{1,2} the min:	3
r _{3,4} the min:	3
s ¹⁾ :	3.7

Shoulder gear and chamfer size
mm

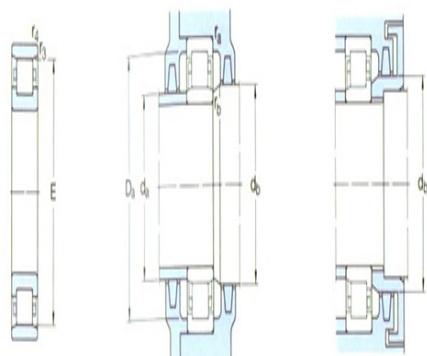
d _a the min:	96
d _a the max:	106
d _b ,D _a the min:	113
D _a the max:	184



NU

NU

NUP



N



9/11

r_a the max: 2.5

r_b the max: 2.5

Calculation coefficient

kr: 0.15

Corner circle

model: HJ416

quality: 0.78

Size B1: 13

Size B2: 22