



## Model: NU217ECP

Basic size of  
mm

d:	85
D:	150
B:	28

The basic rated load is  
kN

trends C:	190
static state Co:	200
Fatigue load limit Pu:	24.5

Rated rotation speed is  
r/min

Refer to the speed:	4800
limit speed:	5300
Specification standard holder:	1.9

model

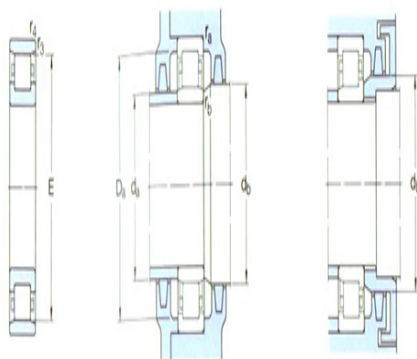
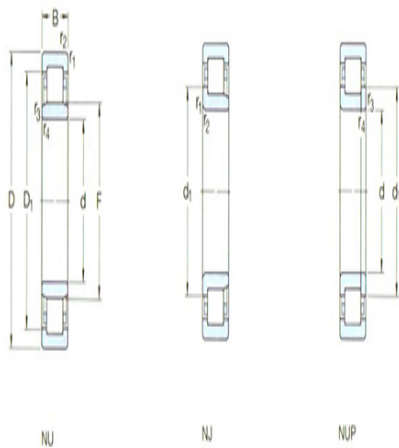
Standard holder:	*NU217EC P
Other holder 1):	J,M,ML

Dimensions are  
mm

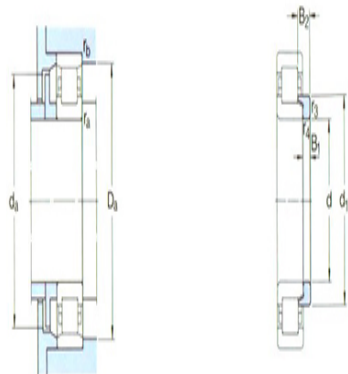
d:	85
d <sub>1</sub> ~ :	107
D1 ~ :	131
F,E:	100.5
r <sub>1,2</sub> the min:	2
r <sub>3,4</sub> the min:	2
s <sup>1)</sup> :	1.5

Shoulder gear and chamfer size  
mm

d <sub>a</sub> the min:	96
d <sub>a</sub> the max:	98
d <sub>b</sub> ,Da the min:	103
Da the max:	139



N



$r_a$  the max: 2

$r_b$  the max: 2

Calculation coefficient

kr: 0.15

Corner circle

model: HJ217EC

quality: 0.24

Size B1: 8

Size B2: 12.5