



Model: NUP217ECP

Basic size of
 mm

d:	85
D:	150
B:	28

The basic rated load is
 kN

trends C:	190
static state Co:	200
Fatigue load limit Pu:	24.5

Rated rotation speed is
 r/min

Refer to the speed:	4800
limit speed:	5300
Specification standard holder:	2

model

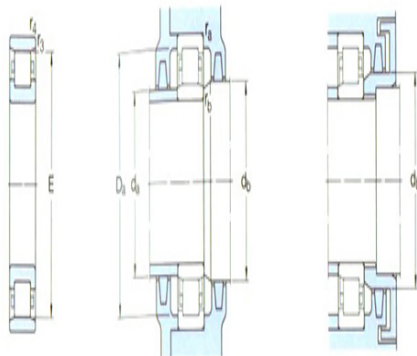
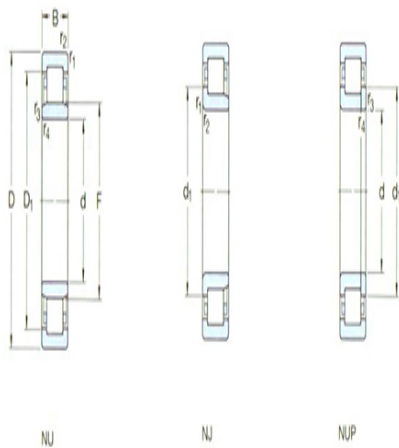
Standard holder:	*NUP217ECP
Other holder 1):	J,ML

Dimensions are
 mm

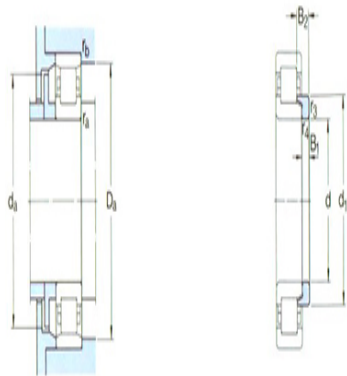
d:	85
d ₁ ~ :	107
D1 ~ :	131
F,E:	100.5
r _{1,2} the min:	2
r _{3,4} the min:	2
s ¹⁾ :	-

Shoulder gear and chamfer size
 mm

d _a the min:	96
d _a the max:	-
d _b ,Da the min:	110
Da the max:	139



N



r_a the max: 2

r_b the max: 2

Calculation coefficient

kr: 0.15

Corner circle

model: -

quality: -

Size B1: -

Size B2: -