



Model: NU317ECP

Basic size of
mm

d:	85
D:	180
B:	41

The basic rated load is
kN

trends C:	340
static state Co:	335
Fatigue load limit Pu:	41.5

Rated rotation speed is
r/min

Refer to the speed:	4000
limit speed:	4800
Specification standard holder:	4.7

model

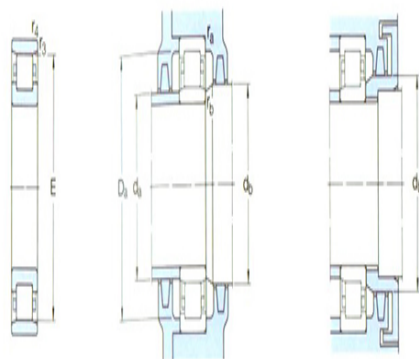
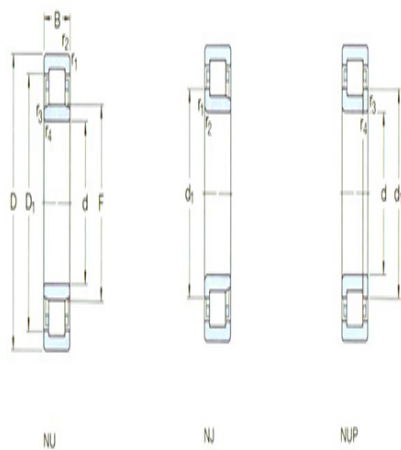
Standard holder:	*NU317EC P
Other holder 1):	J,M

Dimensions are
mm

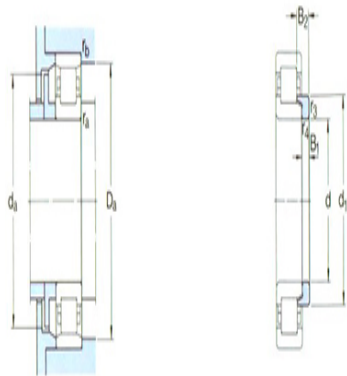
d:	85
d ₁ ~ :	117
D1 ~ :	153
F,E:	108
r _{1,2} the min:	3
r _{3,4} the min:	3
s ¹⁾ :	2.3

Shoulder gear and chamfer size
mm

d _a the min:	99
d _a the max:	105
d _b ,D _a the min:	111
D _a the max:	166



N



r_a the max: 2.5

r_b the max: 2.5

Calculation coefficient

kr: 0.15

Corner circle

model: HJ317EC

quality: 0.55

Size B1: -

Size B2: -