



Model: NU2218ECP

Basic size of
mm

| | |
|----|-----|
| d: | 90 |
| D: | 160 |
| B: | 40 |

The basic rated load is
kN

| | |
|------------------------|-----|
| trends C: | 280 |
| static state Co: | 315 |
| Fatigue load limit Pu: | 39 |

Rated rotation speed is
r/min

| | |
|--------------------------------|------|
| Refer to the speed: | 4500 |
| limit speed: | 5000 |
| Specification standard holder: | 3.15 |

model

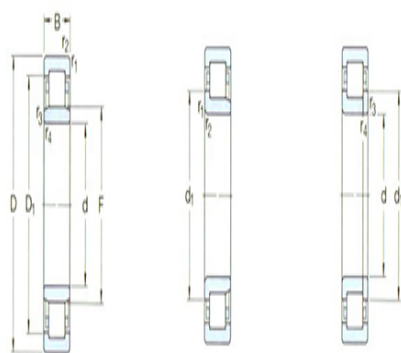
| | |
|------------------|------------|
| Standard holder: | *NU2218ECP |
| Other holder 1): | J,M,ML |

Dimensions are
mm

| | |
|---------------------------|-----|
| d: | 90 |
| d ₁ ~ : | - |
| D1 ~ : | 140 |
| F,E: | 107 |
| r _{1,2} the min: | 2 |
| r _{3,4} the min: | 2 |
| s ¹⁾ : | 2.6 |

Shoulder gear and chamfer size
mm

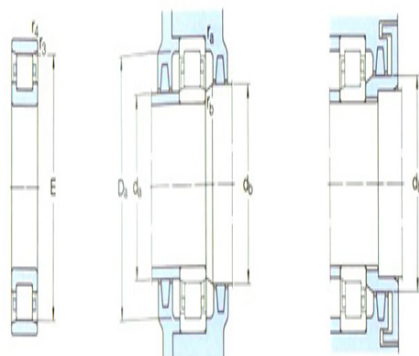
| | |
|-----------------------------|-----|
| d _a the min: | 101 |
| d _a the max: | 104 |
| d _b ,Da the min: | 110 |
| Da the max: | 149 |



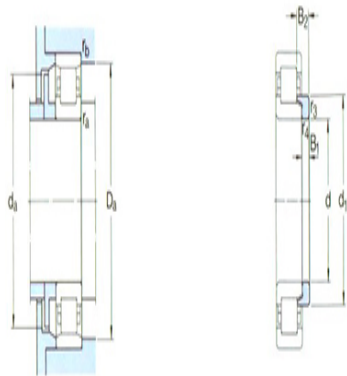
NU

NU

NUP



N



r_a the max: 2

r_b the max: 2

Calculation coefficient

kr: 0.2

Corner circle

model: -

quality: -

Size B1: -

Size B2: -