



Model: NUP2218ECP

Basic size of
 mm

d:	90
D:	160
B:	40

The basic rated load is
 kN

trends C:	280
static state Co:	315
Fatigue load limit Pu:	39

Rated rotation speed is
 r/min

Refer to the speed:	4500
limit speed:	5000
Specification standard holder:	3.3

model

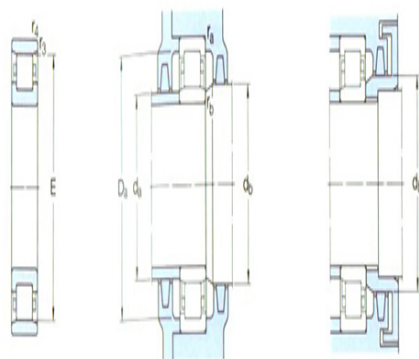
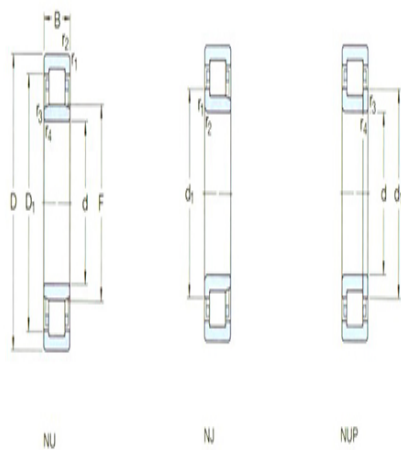
Standard holder:	*NUP2218ECP
Other holder 1):	-

Dimensions are
 mm

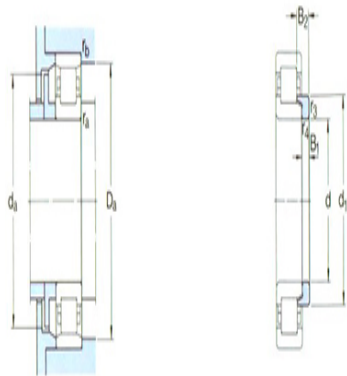
d:	90
d ₁ ~ :	114
D1 ~ :	140
F,E:	107
r _{1,2} the min:	2
r _{3,4} the min:	2
s ¹⁾ :	-

Shoulder gear and chamfer size
 mm

d _a the min:	101
d _a the max:	-
d _b ,D _a the min:	117
D _a the max:	149



N



r_a the max: 2

r_b the max: 2

Calculation coefficient

kr: 0.2

Corner circle

model: -

quality: -

Size B1: -

Size B2: -